

AIRLITE

Configuration Manager



User Manual

VERSION 1.0.822.0



D&R Electronica B.V., Rijnkade 15B, 1382GS Weesp, The Netherlands
Phone: +31 (0)294-418014, Fax: +31 (0)294-416987, Website: <http://www.d-r.nl>, E-Mail: mail@d-r.nl

Contents

- 1 INTRODUCTION..... 3**
- 2 CONNECTION & SETUP..... 3**
- 3 COMMUNICATION 4**
 - 3.1 REMOTE HOST 4
 - 3.2 PORTS 4
- 4 MODULE SETTINGS..... 5**
 - 4.1 POWER ON ACTIVE 5
 - 4.2 AUTO CUE RESET..... 6
 - 4.3 FADER DYNAMICS 6
 - 4.4 ON AIR BUSSES 6
 - 4.5 AUTO CHANNEL OFF 6
 - 4.6 SWITCH COLORS 6
 - 4.7 CRM FEEDBACK PREVENTION 6
 - 4.8 STUDIO REMOTE 7
 - 4.9 MICROPHONE 7
- 5 MASTER SETTINGS 8**
 - 5.1 SILENCE DETECTION 8
 - 5.2 GPO 9
 - 5.3 SWITCH COLORS 9
 - 5.4 CUE BUSS INTERLOCK..... 9
- 6 READ/WRITE CONFIGURATION FROM/TO CONSOLE..... 10**
 - 6.1 STORE INTERNAL 10
- 7 CONFIGURATION PRESETS..... 11**
 - 7.1 CREATE PRESET 11
 - 7.2 LOAD PRESET 11

1 Introduction

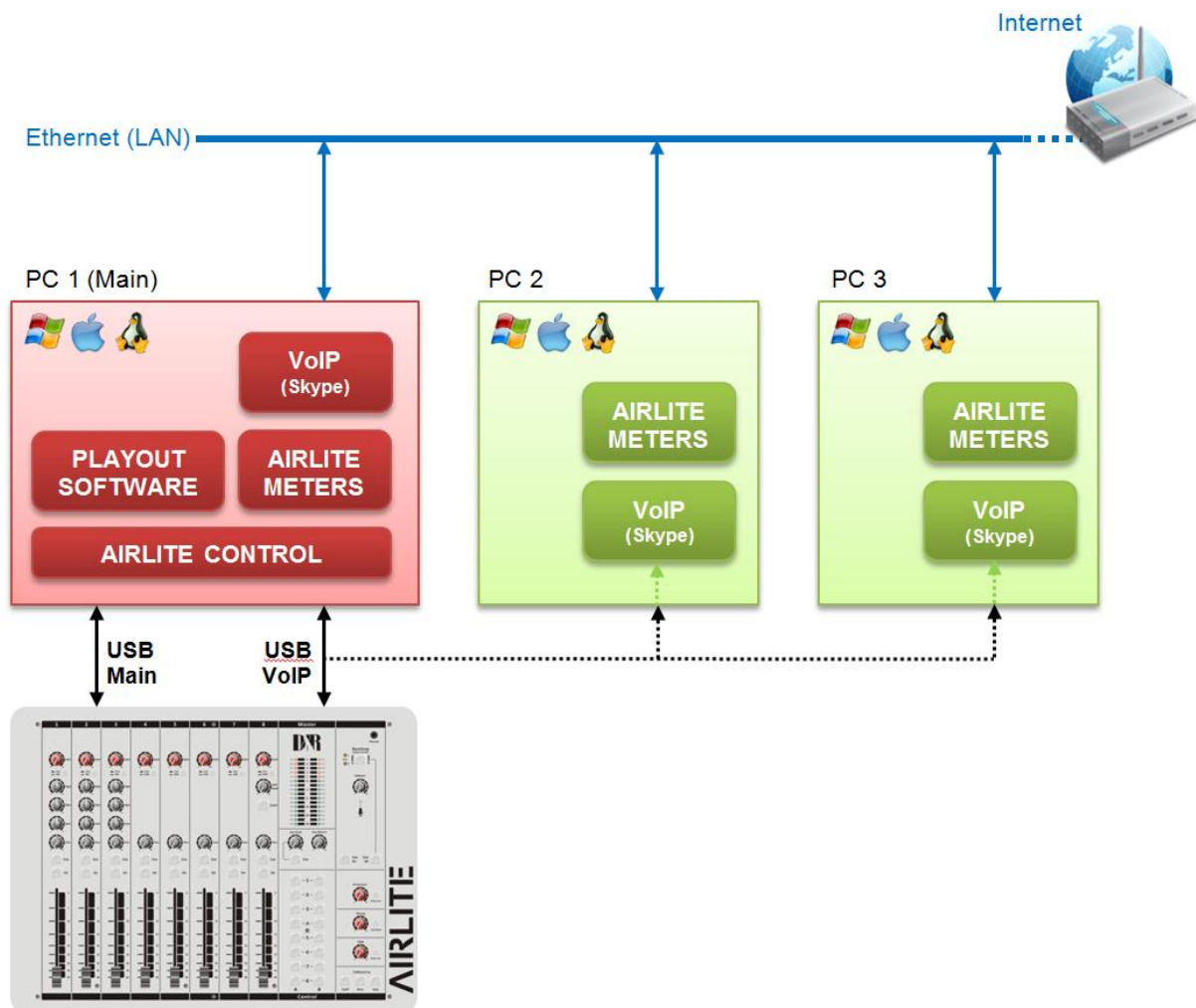
Airlite Configuration Manager is a software tool to configure the Airlite console. This manual describes the features *Airlite Configuration Manager* contains and how to setup and use the application.

2 Connection & Setup

Airlite Configuration Manager communicates indirectly with the Airlite console over an Ethernet connection using UDP/IP (User Datagram Protocol). Since the only available physical communication interface on the Airlite console is USB, another *Airlite Control* application is required to run on the PC the Airlite is connected to (main PC). The *Airlite Control* act as a USB/UDP gateway and provides a communication interface for client applications anywhere on the network, like *Airlite Configuration Manager*.

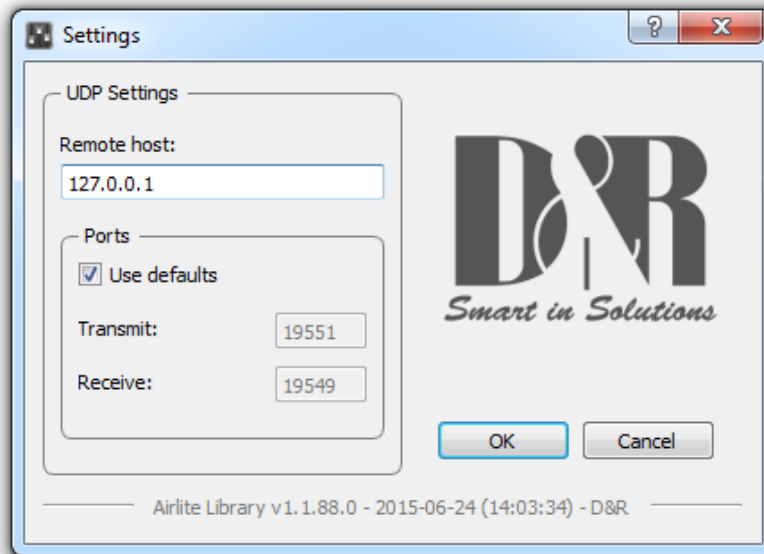
In order to use *Airlite Configuration Manager* follow the steps below:

1. Connect the USB-main port of the Airlite to your PC with supplied USB cable
2. Install, configure and run the *Airlite Control* application on this 'main' PC
3. Run *Airlite Configuration Manager* on any PC in the network, or from your home!



3 Communication

Pressing Options->Communication from the menu bar will open the communication settings window.



3.1 Remote Host

In the Remote Host field the IP address of the main PC needs to be specified. For running the *Airlite Configuration Manager* on the main PC one can use the 127.0.0.1 (localhost) IP address.

3.2 Ports

Airlite Configuration Manager uses a transmit- and receive port for the communication to/from the Airlite console. By default these ports are pre-configured and do not need to be changed unless specific port configuration is required.

4 Module Settings

In this chapter the module settings for the eight modules present in the console are discussed. Each module has its own settings tab.

->ALL

Apply a configuration section of the selected module to all other modules.

APPLY to all modules

Apply entire configuration of the selected module to all other modules

The screenshot displays the settings for Module 1. The tabs at the top are: Module 1, Module 2, Module 3, Module 4, Module 5, Module 6, Module 7, Module 8, and Master. The settings are organized into several sections:

- Power:** ON Active (checked), with a '->ALL' button.
- Auto CUE Reset:** CUE Reset enabled by LINE (checked), CUE Reset enabled by MIC (checked), CUE Reset by FADER (unchecked), CUE Reset by ON (unchecked), CUE Reset by FADER + ON (checked), with a '->ALL' button.
- Fader Dynamics:** +10dB reserve (unchecked), with a '->ALL' button.
- On Air busses (logical):** ON-AIR 1 enabled by LINE (unchecked), ON-AIR 1 enabled by MIC (checked), ON-AIR 2 enabled by LINE (unchecked), ON-AIR 2 enabled by MIC (unchecked), with a '->ALL' button.
- Auto Channel Off:** Enable (checked), with a '->ALL' button.
- Switch Colors:** ON Active: GREEN, ON and FADER Active: RED, ON Inactive: OFF, CUE Active: RED, CUE Inactive: OFF, with a '->ALL' button.
- CRM Feedback Prevention:** CRM Mute (checked), CRM Auto Cue - (AutoDeactivate) (checked), with a '->ALL' button.
- Studio Remote:** Cough (unchecked), Comm (unchecked), Comm Private (unchecked), with a '->ALL' button.
- Microphone:** Phantom (+48V) (checked), MIC at Line (unchecked), with a '->ALL' button.

At the bottom right, there is a green checkmark button labeled 'APPLY to all modules'.

4.1 Power ON Active

The Airlite console contains ON-switches to activate a specific module.

If *ON Active* in the *Power* section is enabled the module will be active when powering the console. Using this function while a power outage occurs prevents silence on air if no person is in the studio to (re-)activate the module.

1	2	3	4	5	6	7	8
<input type="checkbox"/> Cue	<input type="checkbox"/> Cue	<input type="checkbox"/> Cue	<input type="checkbox"/> Cue	<input type="checkbox"/> Cue	<input type="checkbox"/> Cue	<input type="checkbox"/> Cue	<input type="checkbox"/> Cue
<input type="checkbox"/> On	<input type="checkbox"/> On	<input type="checkbox"/> On	<input type="checkbox"/> On	<input type="checkbox"/> On	<input type="checkbox"/> On	<input type="checkbox"/> On	<input type="checkbox"/> On

4.2 Auto CUE Reset

When the CUE-switch of a module on the console is activated (also called PFL) the selected source (LINE or MIC/USB/VoIP) will be routed to the CUE buss. To deactivate a module from the CUE buss one can press again the CUE-switch.

The *Auto CUE Reset* feature can reset the CUE buss (deactivate all modules from the CUE buss) automatically by Fader, ON and/or Fader+ON. The function can be enabled for LINE and MIC/USB/VoIP separately.

4.3 Fader Dynamics

The fader top level can be set to +10dB instead of the normal 0dB level with this setting enabled. This results in 10dB more headroom which could be desirable in certain circumstances.

4.4 On Air Busses

Two logical on-air busses are available which can be enabled for LINE and/or MIC/USB/VoIP for each module.

4.5 Auto Channel Off

Enable this feature if you wish the channel to go OFF when you move the fader down. This prevents the channel to generate a second faderstart if the user accidentally moves the fader. A useful situation could be starting a (software) player only ONCE. To generate a faderstart again, one must turn on the module first again.

4.6 Switch Colors

In the *Switch Colors* section the colors of the ON- and CUE switches can be configured to be OFF, RED, or GREEN depending on the state of the switch-function. It is up to the user to define a suitable color for a corresponding state.

ON states:

- ON Active
- ON and Fader Active
- ON Inactive

CUE states:

- CUE Active
- CUE Inactive

4.7 CRM Feedback Prevention

**** These settings are only available for modules 1,2 and 3 (MIC modules) ****

In order to prevent feedback from a microphone in the Control Room the functions *CRM Mute* and *CRM Auto Cue – (AutoDeactivate)* can be enabled.

CRM Mute:

- Mute CRM buss when the module is active (MIC selected).

CRM Auto Cue – (AutoDeactivate)

- Deactivate the Auto Cue CRM function when cue'ing module (MIC selected).

4.8 Studio Remote

**** These settings are only available for modules 1,2 and 3 (MIC modules) ****

With a studio remote connected to the GPI connector at the back of the console one is able to perform Cough and Comm (Communicate) functionality.

Cough:

- if enabled the module is muted when the cough button on the studio remote is pressed

Comm:

- if enabled the module is deactivated and put on the CUE buss when the comm button on the studio remote is pressed.

Comm Private:

- if enabled the module is deactivated and put IF ONLY on the CUE buss when the comm button on the studio remote is pressed. (Comm must be enabled).

4.9 Microphone

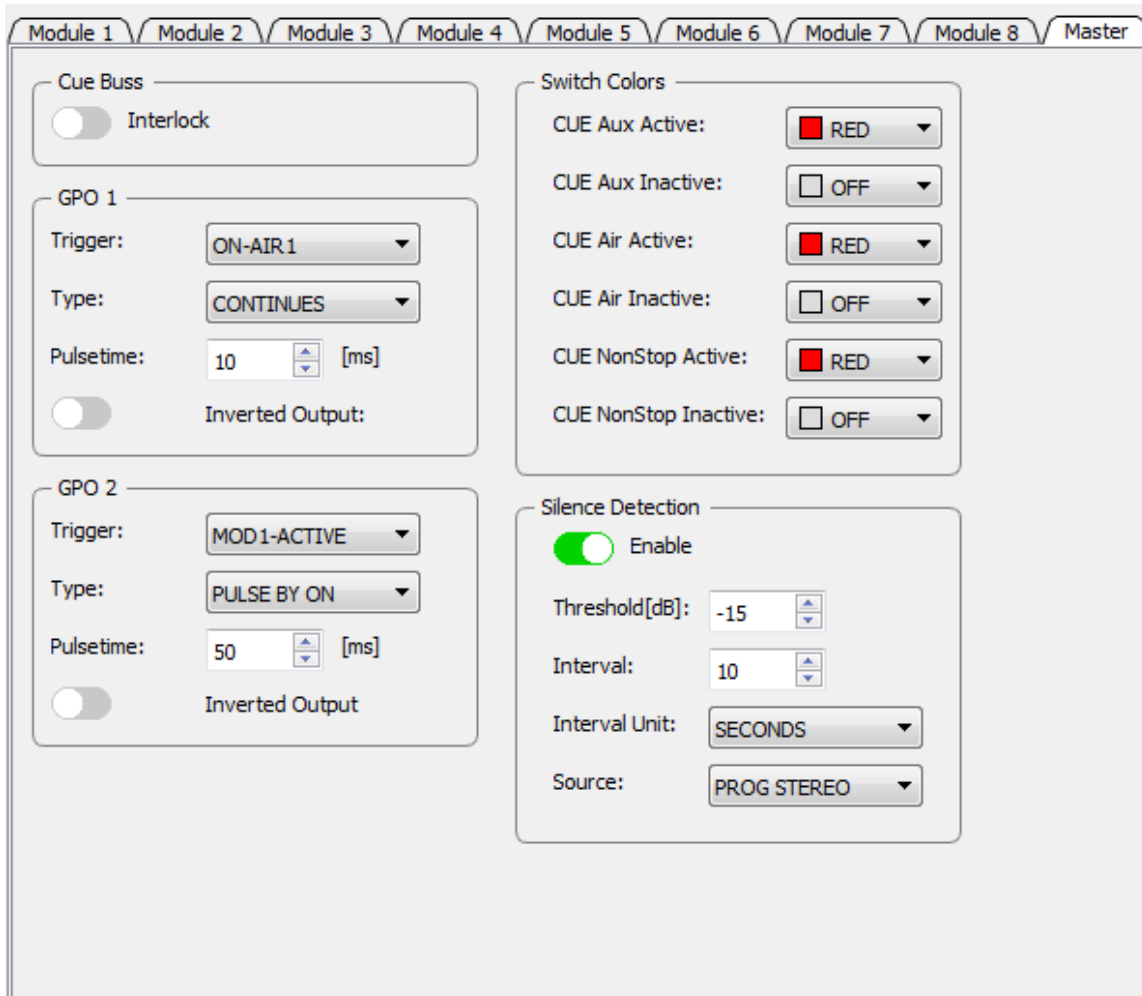
**** These settings are only available for modules 1,2 and 3 (MIC modules) ****

Phantom enables +48V power on the MIC XLR-connector required for condenser microphones.

MIC at Line – set this option if a microphone is connected at the line input (using external preamp).

5 Master Settings

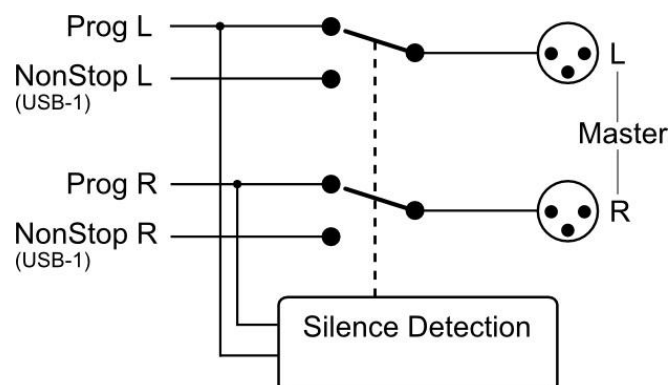
In this chapter the master settings of the console will be discussed.



5.1 Silence Detection

The Airlite console is equipped with a software silence detection unit and is used to monitor the program buss (left, right or stereo) in the event of the signal going below the *threshold* (-40...0dB) after a given *interval*. In this situation the unit will go into ALARM state and switches the nonstop source to the master output. The *Interval Unit* can be set to seconds or minutes.

The red flashing nonstop switch on the console indicates the alarm state. The silence alarm can be reset by pressing the nonstop switch (will become green). Program buss is routed to the master output after the reset.



5.2 GPO

The Airlite console contains two GPO's (General Purpose Output). These GPO's can be triggered by different events. In some cases the output needs to be inverted to obtain the correct result depending on the connected target (On-Air lamp e.g). The *Inverted Output* inverts the output of the GPO easily where otherwise a relay is needed.

GPO Triggers:

- On Air 1
- On Air 2
- Phone
- Mic On
- Non Stop
- Module 1..8 Active

The GPO's can be configured in continuous or pulse mode. Pulse mode can be used to trigger a cd-player when a module becomes active (faderstart). Pulse can be generated by ON, OFF, or ON/OFF state of the selected trigger. Pulse-width can be configured from 10 – 255 milliseconds.

5.3 Switch Colors

In the *Switch Colors* section the colors of the CUE switches for the Aux, Air, and NonStop can be configured to be OFF, RED, or GREEN depending on the state of the switch-function. It is up to the user to define a suitable color for a corresponding state.

CUE states:

- CUE Active
- CUE Inactive

5.4 Cue Buss Interlock

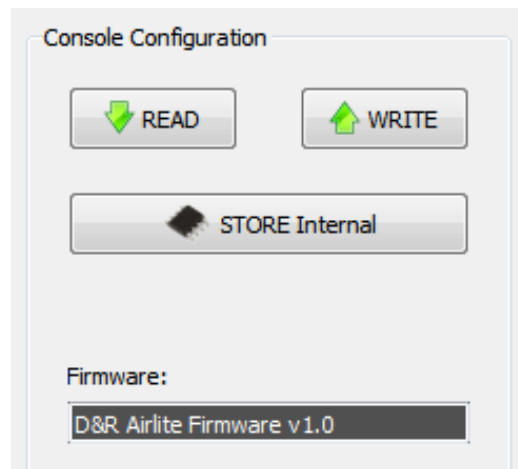
If enabled only one module can be active on the CUE buss. Selecting a second module on the CUE buss will result in switching to this module. Pre listen to several modules can be done in a fast way with this feature.

6 Read/Write Configuration from/to console

To read the configuration from the console into the *Airlite Configuration Manager* one needs to press the 'READ' button. This is only necessary if you made changes in configuration and want to reload the settings with the stored ones in the console. When the application starts it automatically loads the settings from the console.

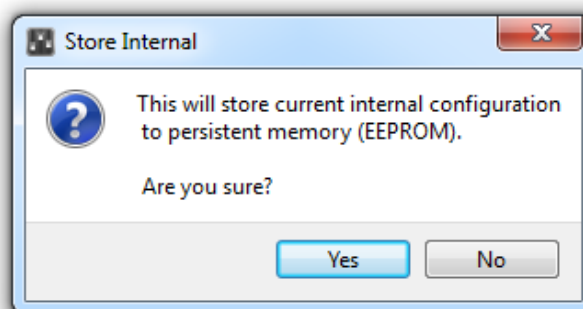
The Firmware field shows the current firmware in the console after the read command. Once the configuration is read successfully, adjustments can be made and written back to the console or saved as a preset.

Pressing the 'WRITE' button uploads the current configuration in *Airlite Configuration Manager* to the console. The configuration is directly active but not saved internally. The configuration is lost after a power off.



6.1 Store Internal

The *Store Internal* button stores the current configuration in the console to persistent memory (EEPROM). This means the configuration is still active after a power off. A warning will be prompted to make sure you want to overwrite internal saved configuration.



7 Configuration Presets

Airlite Configuration Manager is able to import/export the configuration from/to a preset file. These preset files have the .xml file extension. A preset file includes the module and master settings.

7.1 Create Preset

Saving a preset can be done by pressing File->Save(as) from the menu bar.

7.2 Load Preset

Loading a preset can be done by pressing File->Open from the menu bar and selecting the preset file.

feels good does more