

"HI-LOWPASS FILTER"

USER MANUAL

DNR



manufacturer of: recording - broadcast - p.a. - mixingdesks - signal processors

HIGH-LOWPASS FILTER manual

The D&R high-lowpass filter is a stereo type unit for filtering out frequencies above or below a given frequency.

The 12 dB filter curves are ranging from 20 Hz to 1kHz in the highpass section and ranging from 500 Hz to 20kHz in the lowpass section. Both sections are switched in and out by a pushbutton switch.

CONNECTIONS

The unit has 4 stereo jack sockets on the back which are wired in an unbalanced way. Tip is signal and earth has to be connected to the shielding. It is also possible to connect the sections in series, which means that by carefully adjustment, slopes of 24 dB per octave can be obtained. It is also possible to use the unit as a mono two band cross over point as below.

Right hand section control fully clock-wise (20 kHz) and the other control at 0.8 kHz. This section gives all frequencies above 800 Hz. Left hand section control at 0.8 kHz and the other control fully counter clockwise. This section now gives all frequencies below 800 Hz.

Powering

The unit can be powered from 110 as well as 220 volts by setting the mains switch on the back of the unit. (only on 9½" units)

NOTE

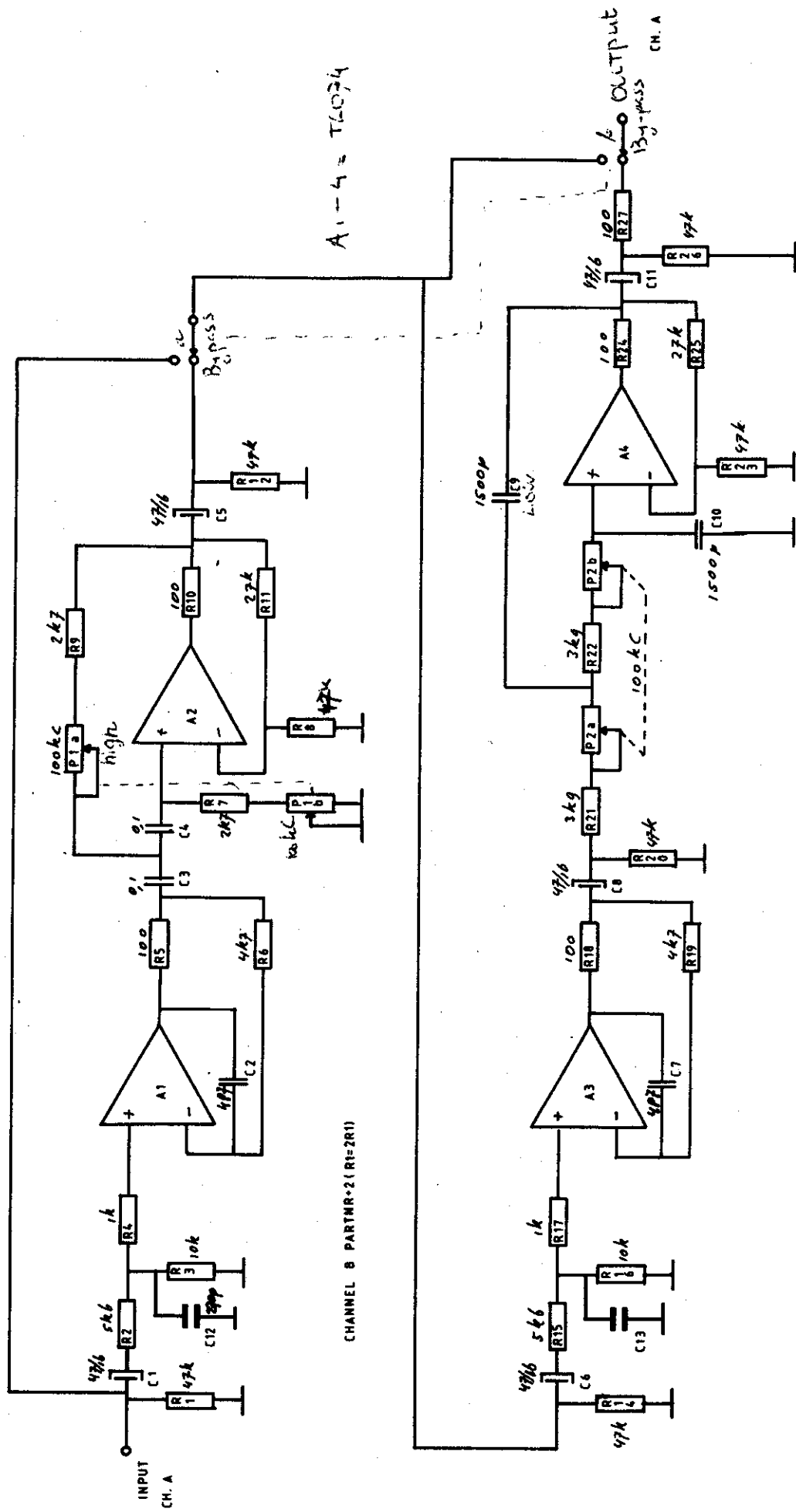
READ SAFETY INSTRUCTIONS VERY CAREFULLY ON THE BACK PAGE!



"HI-LOWPASS FILTER"

SERVICE MANUAL

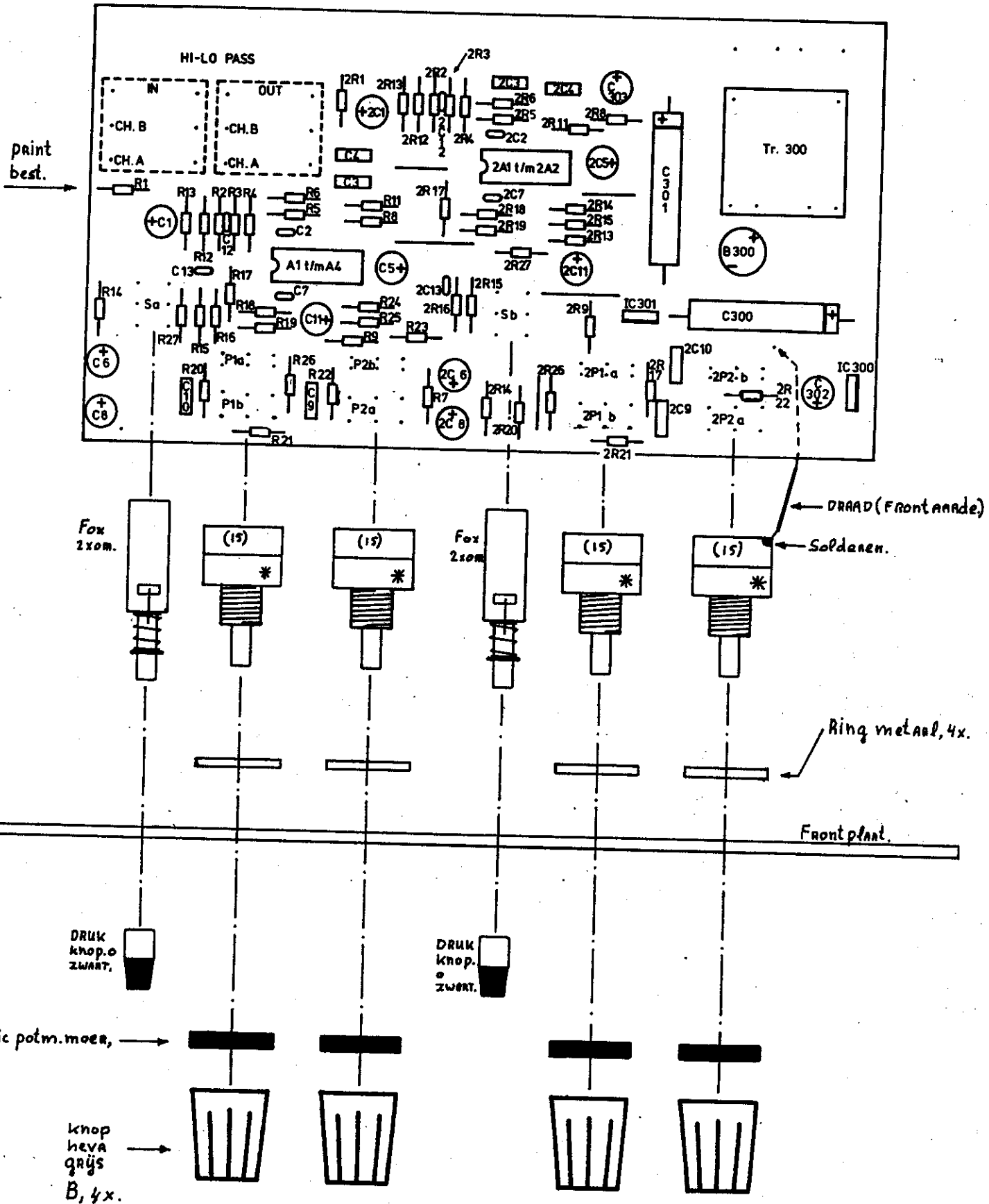
DNR



A1-4 = T6074

CHANNEL B PARTNR-2 (R1=2R1)

		RIJNKADE 15b 1382 GS WEESEP HOLLAND PHONE: 02940 18014 ELECTRONICA BV	
TITLE: HI-LO Pass		NOTES:	
SHEET OF		© 1984	
DRAWN :		P.C.B. INDEX.	
DATE :		CHECKED:	



D & R HI-LO PASSFILTER

ELECTRONICA B.V.

produktie en ontwikkeling van
geluidsmengpanelen en accessoires

Date: 10-04-1985

R & D department

Title: High Low Pass

PartNr	Value	Notes	ArtNr
R1	47 k	5%	
R2	5 k 6	5%	0749
R3	10 k	5%	0736
R4	1 k	5%	0741
R5	100 E	5%	0729
R6	4 k 7	5%	0717
R7	2 k 7	5%	0737
R8	47 k	5%	0734
R9	2 k 7	5%	0749
R10	100 E	5%	0734
R11	27 k	5%	0717
R12	47 k	5%	0746
R13		5%	0749
R14	47 k	5%	
R15	5 k 6	5%	0749
R16	10 k	5%	0736
R17	1 k	5%	0741
R18	100 E	5%	0729
R19	4 k 7	5%	0717
R20	47 k	5%	0737
R21	3 k 9	5%	0749
R22	3 k 9	5%	0736
R23	47 k	5%	0736
R24	100 E	5%	0749
R25	27 k	5%	0717
R26	47 k	5%	0746
R27	100 E	5%	0749
		5%	0717
C1	47 u/25	rad	
C2	4 p 7	ker	0287
C3	0.1 u	poly	0289
C4	0.1 u	poly	0261
C5	47 u/25	rad	0261
C6	47 u/25	rad	0287
C7	4 p 7	ker	0287
C8	47 u/25	rad	0289
C9	1500 p	poly	0287
C10	1500 p	poly	0247
C11	47 u/25	rad	0247
C12	270 p	ker	0287
C13	270 p	ker	0238
C300	470 u/40	ax	0238
C301	470 u/40	ax	0295
C302	47 u/25	rad	0295
C303	47 u/25	rad	0287
		rad	0287
A1-4	TL074	Opamp	
IC300	7818	pos. reg.	0305
IC301	7918		0322

R1	Fox 2xom		0400
R2	Cliff br.pl.	Jack	0432
R3	Cliff br.pl.	Jack	0432
R4	100 k C stereo	Potm 15	0118
R5	100 k C stereo	Potm 15	0118
TR305	Trafo 2x18V	3VA print	0562
BR300	880C1000	brugel	0343

Alle componenten met het voorvoegsel 2 hebben dezelfde waarde als de componenten zonder voorvoegsel (R1 = 2R1).