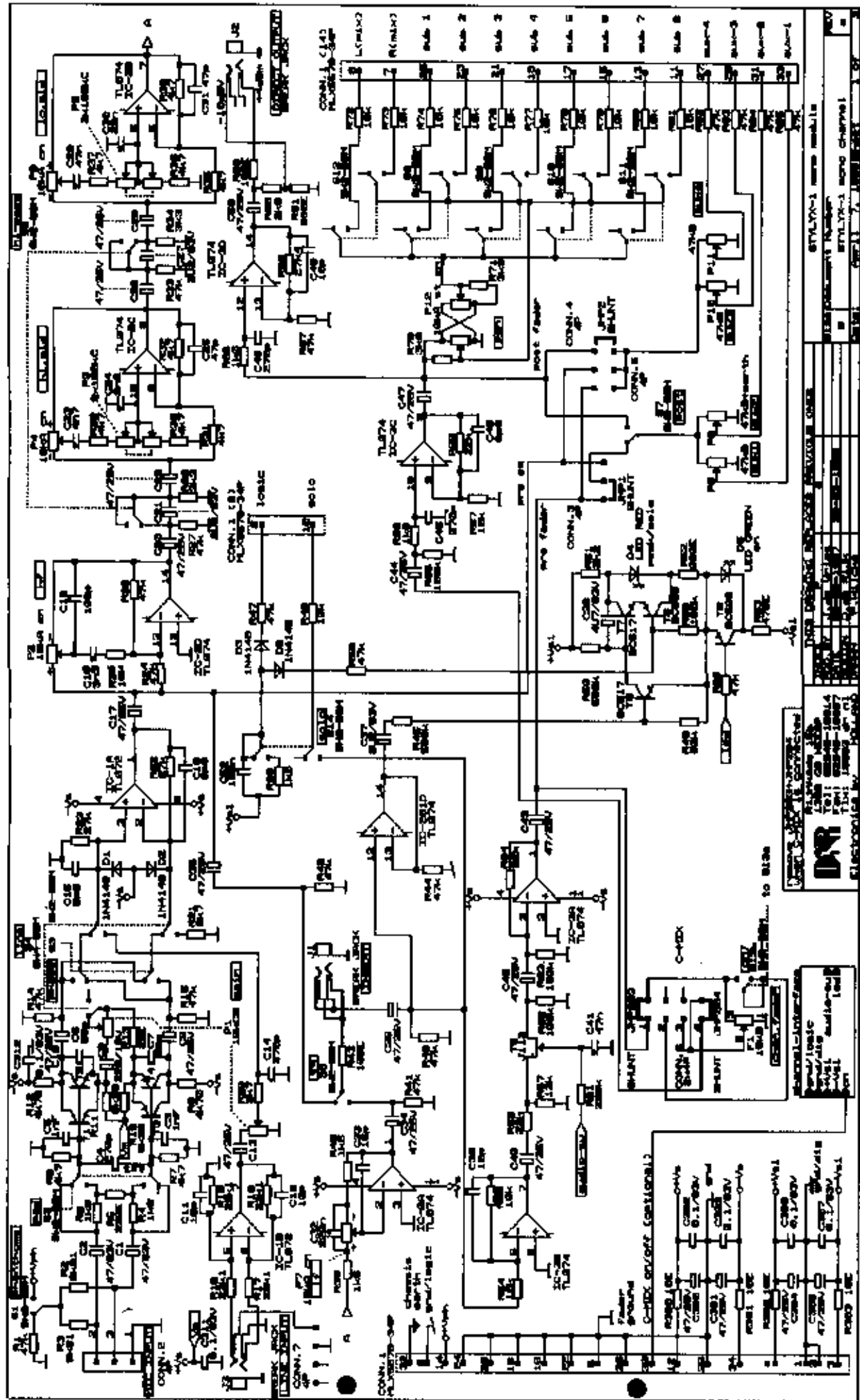


"STYLYX"

SERVICE MANUAL

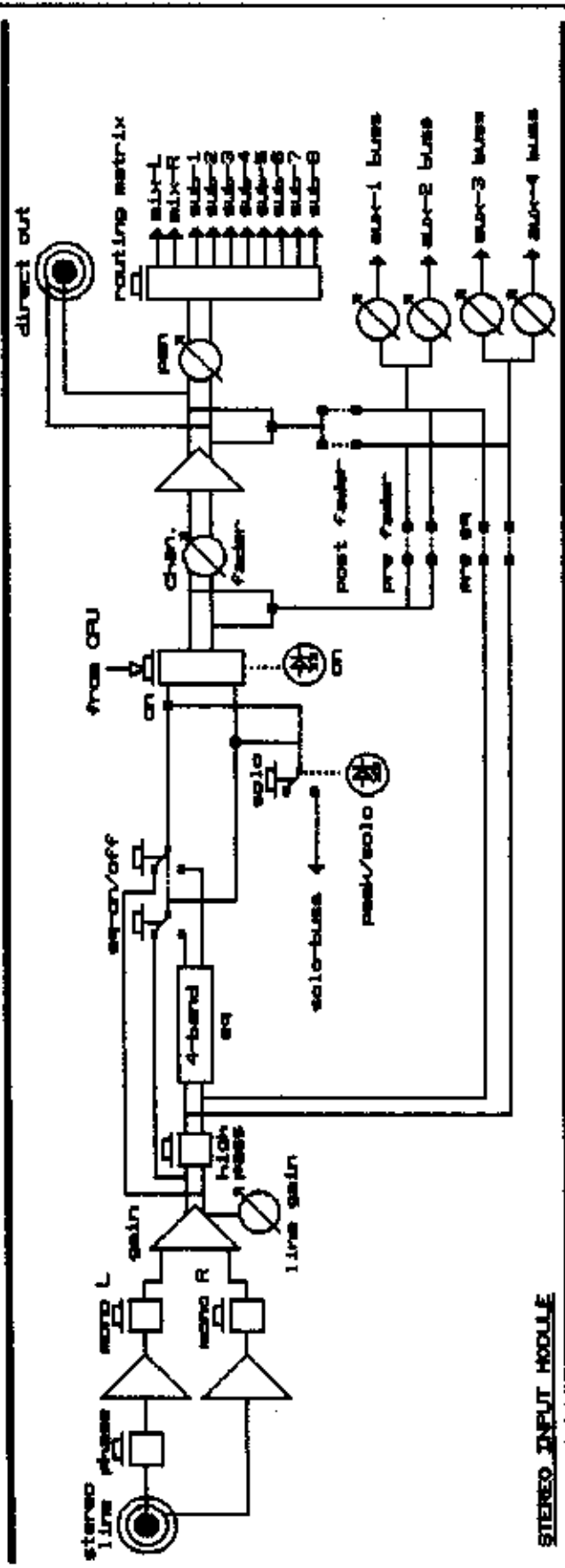
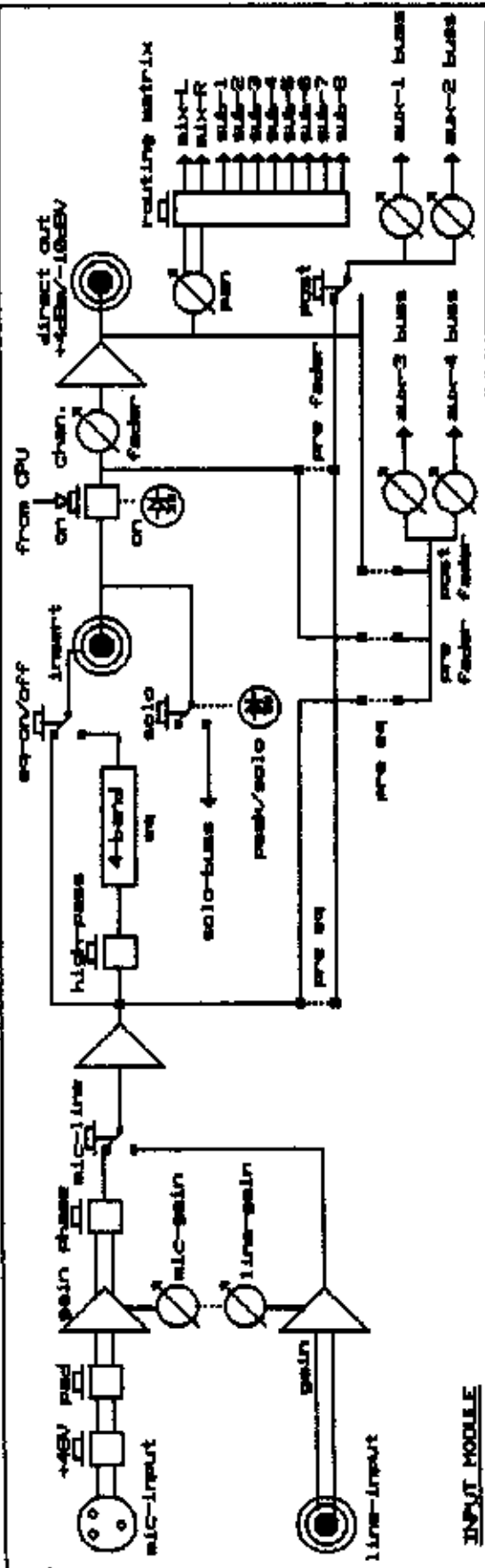
DNR

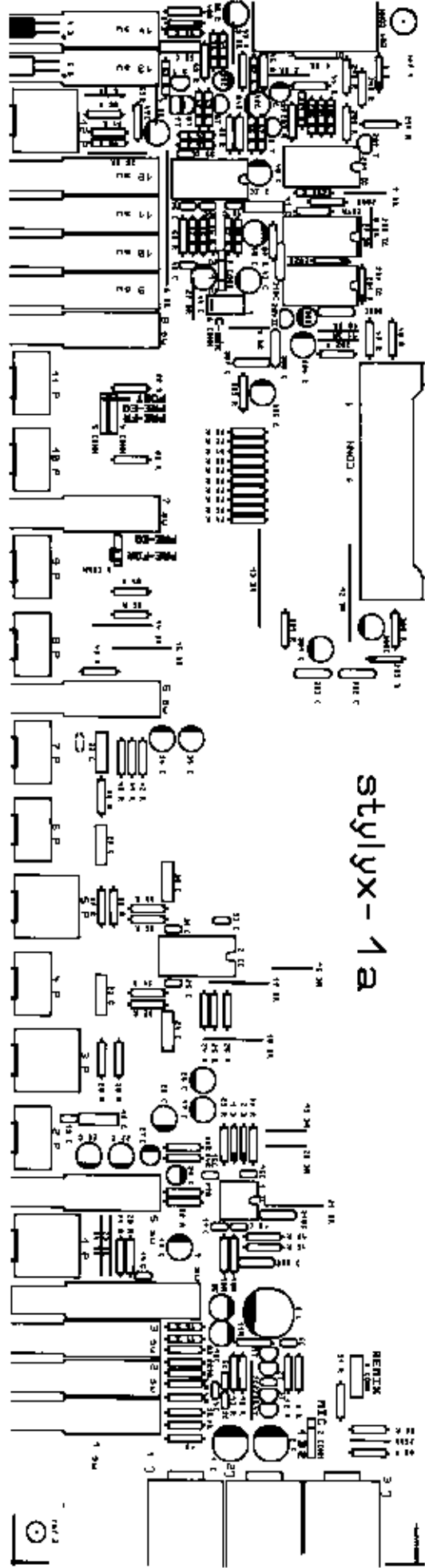
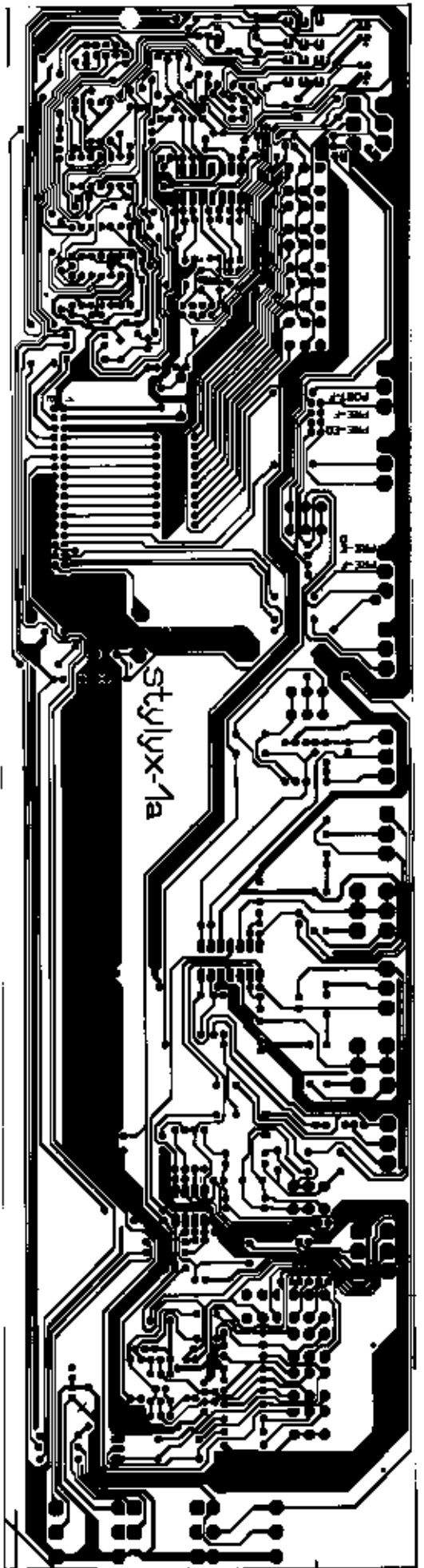


DSR
 ELECTRONICS, INC.
 1000 S. GARDEN AVENUE
 GARDEN CITY, N.Y. 11530
 TEL: 516-466-1000
 FAX: 516-466-1001
 CIRCLE 10 ON READER SERVICE CARD

8747A-1 mono module
 8747A-1 mono channel

CONV. 1 CONV. 2 CONV. 3 CONV. 4
 CONV. 5 CONV. 6 CONV. 7 CONV. 8
 SUB 1 SUB 2 SUB 3 SUB 4
 SUB 5 SUB 6 SUB 7 SUB 8
 SUB 9 SUB 10 SUB 11 SUB 12
 SUB 13 SUB 14 SUB 15 SUB 16





stylyx-1a

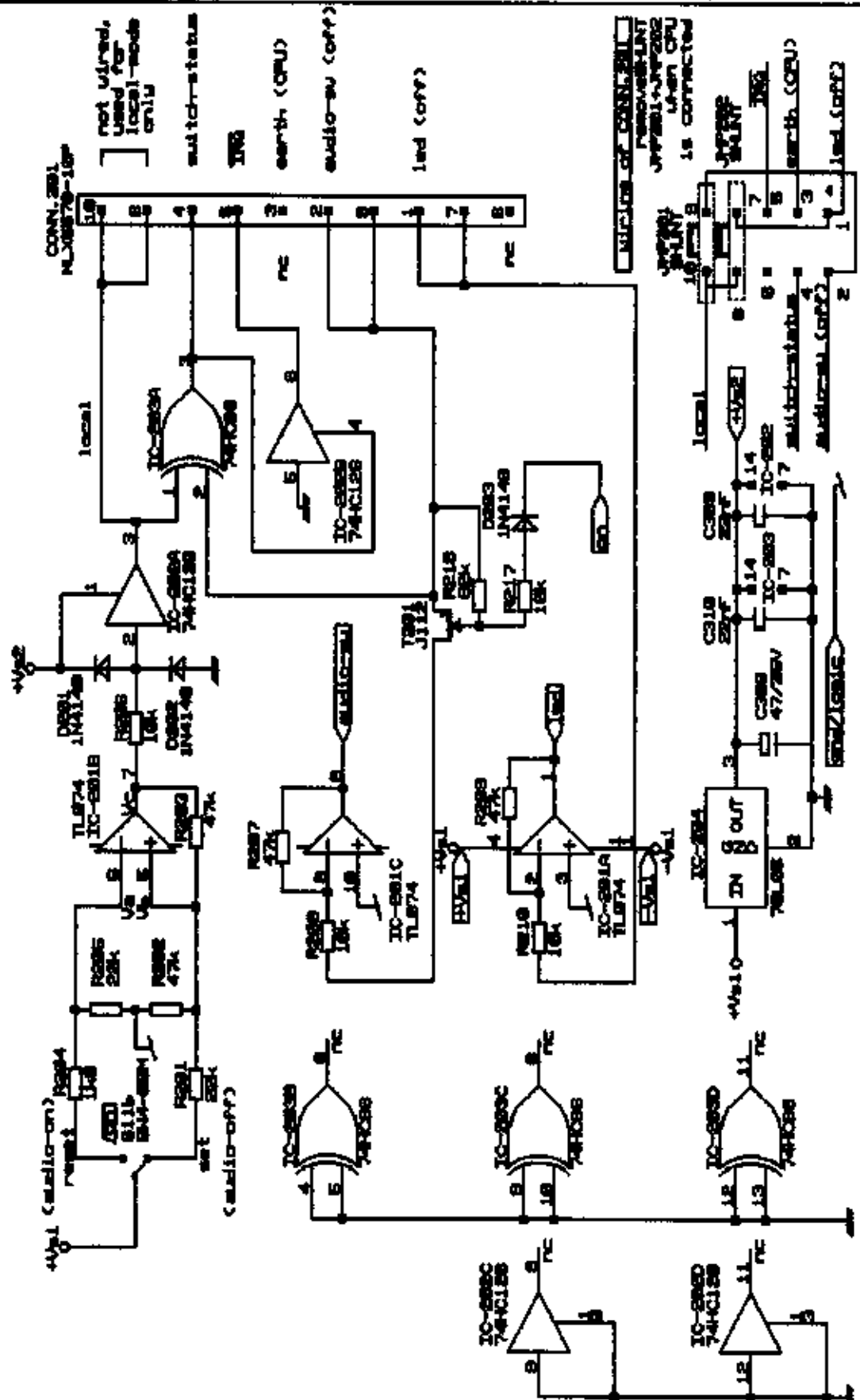
DPR
 Electronics by Holland

TELEX 48503 dr nl
 TELEPHONE 02940-18014
 RIJKSWEGE 15B
 1306GS WEESP

TITLE :
 THIS DRAWING REPLACES PREVIOUS ONES

INDEX	MOD. BY	DATE	CHECK 1	CHECK 2

NOTES



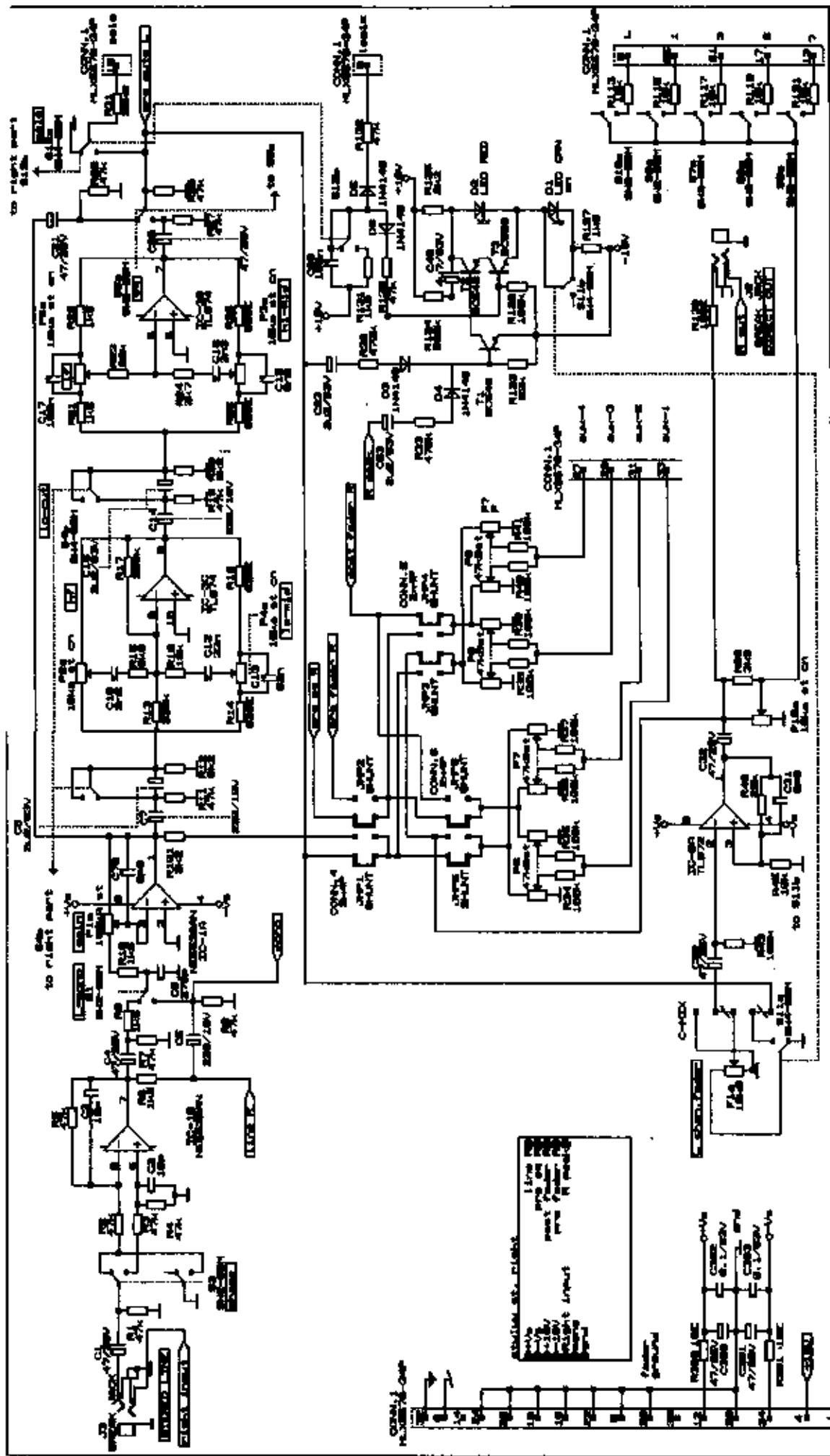
<p> DLR Electronics, Inc. 1305 S. Valley Tel: 800-451-1801 Fax: 800-451-1802 Tlx: 18003 dr n 8000 N. 1st Street Phoenix, AZ 85020 </p>		<p> THIS DRAWING REPLACES PREVIOUS ONES DRAWING NUMBER: 14-10-1008 DATE: 10-10-88 DESIGNED BY: J. de Vries CHECKED BY: P. Hulse </p>	
<p> Includes 1lb 1.25oz oz alloy Tel: 800-451-1801 Fax: 800-451-1802 Tlx: 18003 dr n 8000 N. 1st Street Phoenix, AZ 85020 </p>		<p> STYLIX-2 stereo channel Document Number: A stylux stereo channel interface Date: June 21, 1988 </p>	

not wired,
 used for
 local-mode
 only
 switch-status
 TRG
 earth (CPU)
 audio-au (off)
 1ed (off)

MIPLOS OF CONN.281
 remove MIPLOS
 J1001-J1002
 when CPU
 is connected

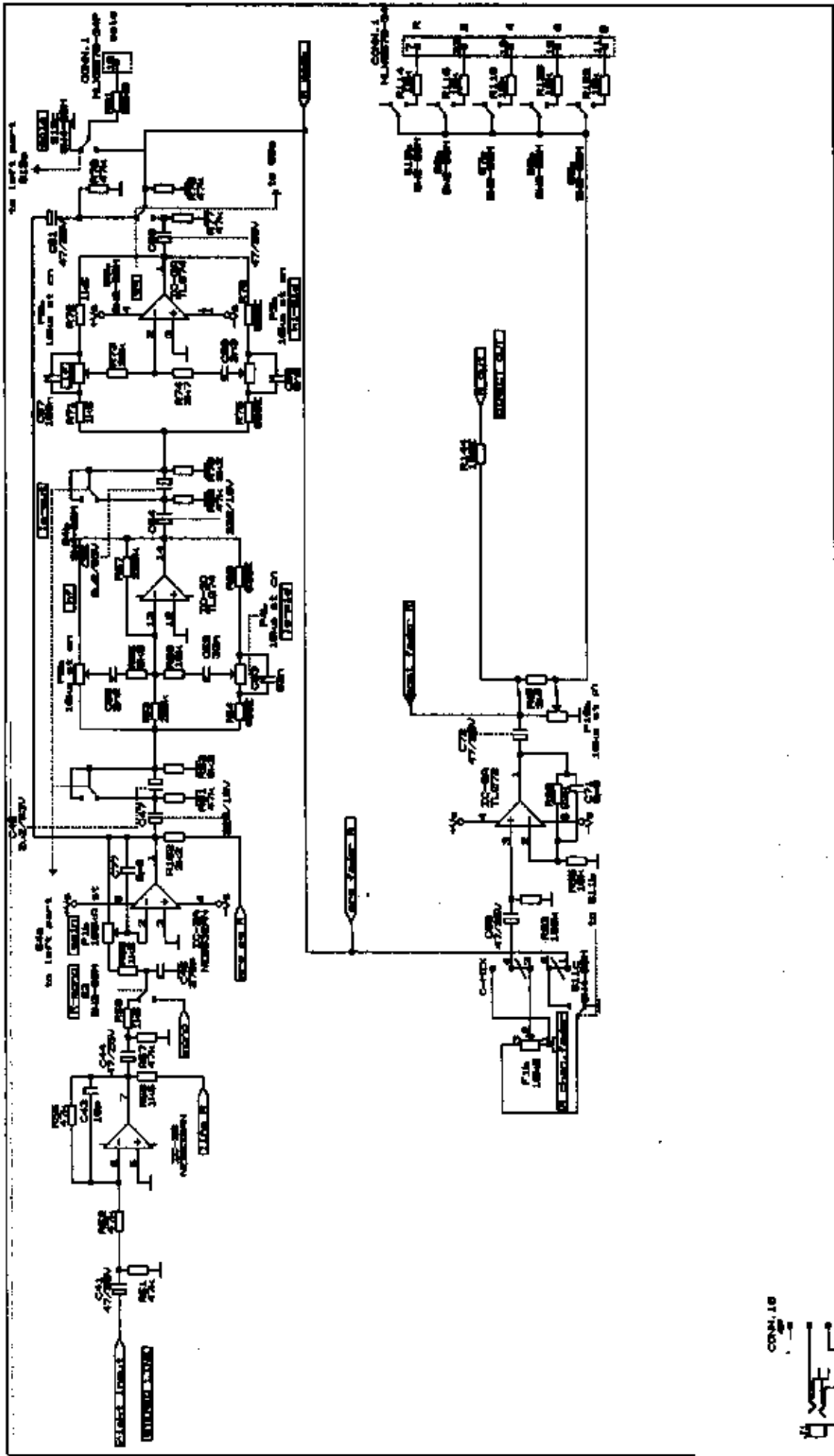
MIPLOS OF CONN.281
 remove MIPLOS
 J1001-J1002
 when CPU
 is connected

not wired,
 used for
 local-mode
 only
 switch-status
 TRG
 earth (CPU)
 audio-au (off)
 1ed (off)

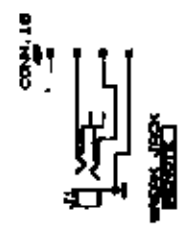


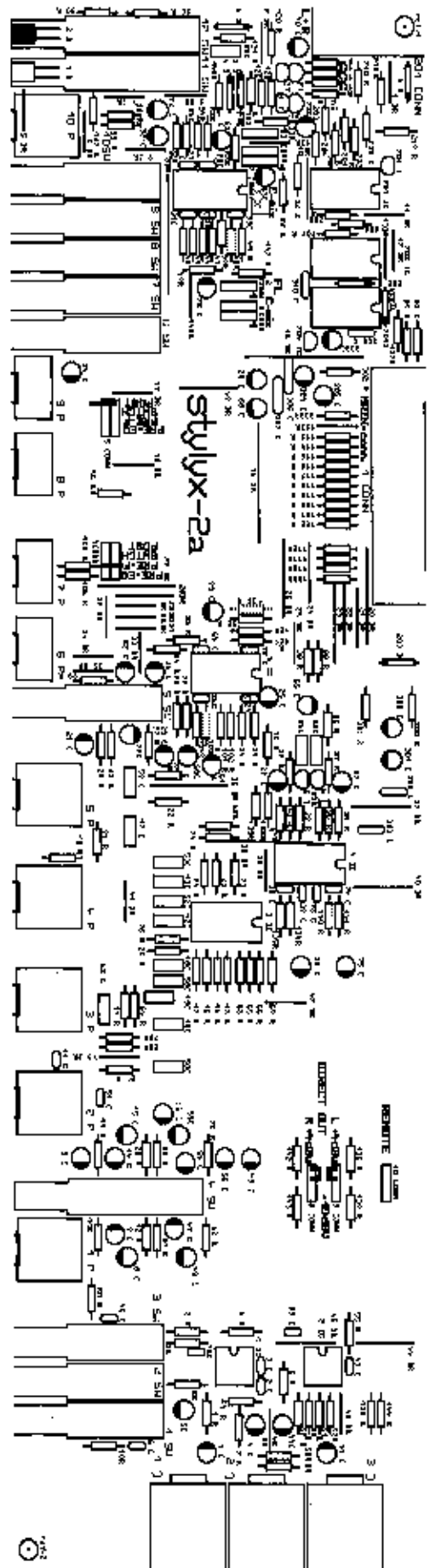
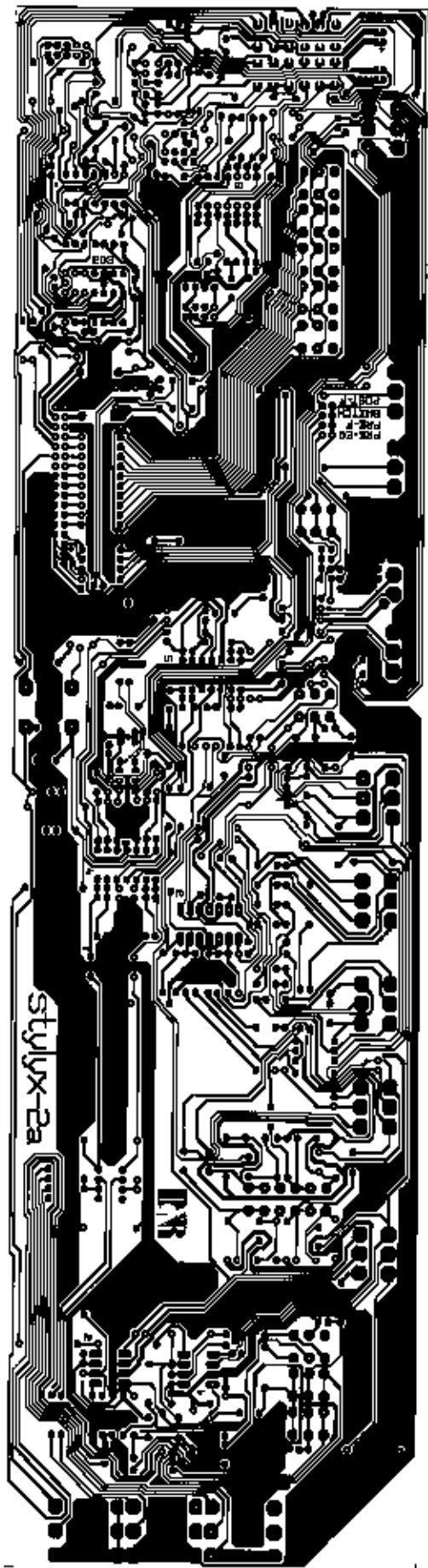
DR
 ELECTRONICS CORPORATION
 1000 WEST 17TH AVENUE
 DENVER, COLORADO 80202
 TELEPHONE 333-1111
 FAX 333-1111

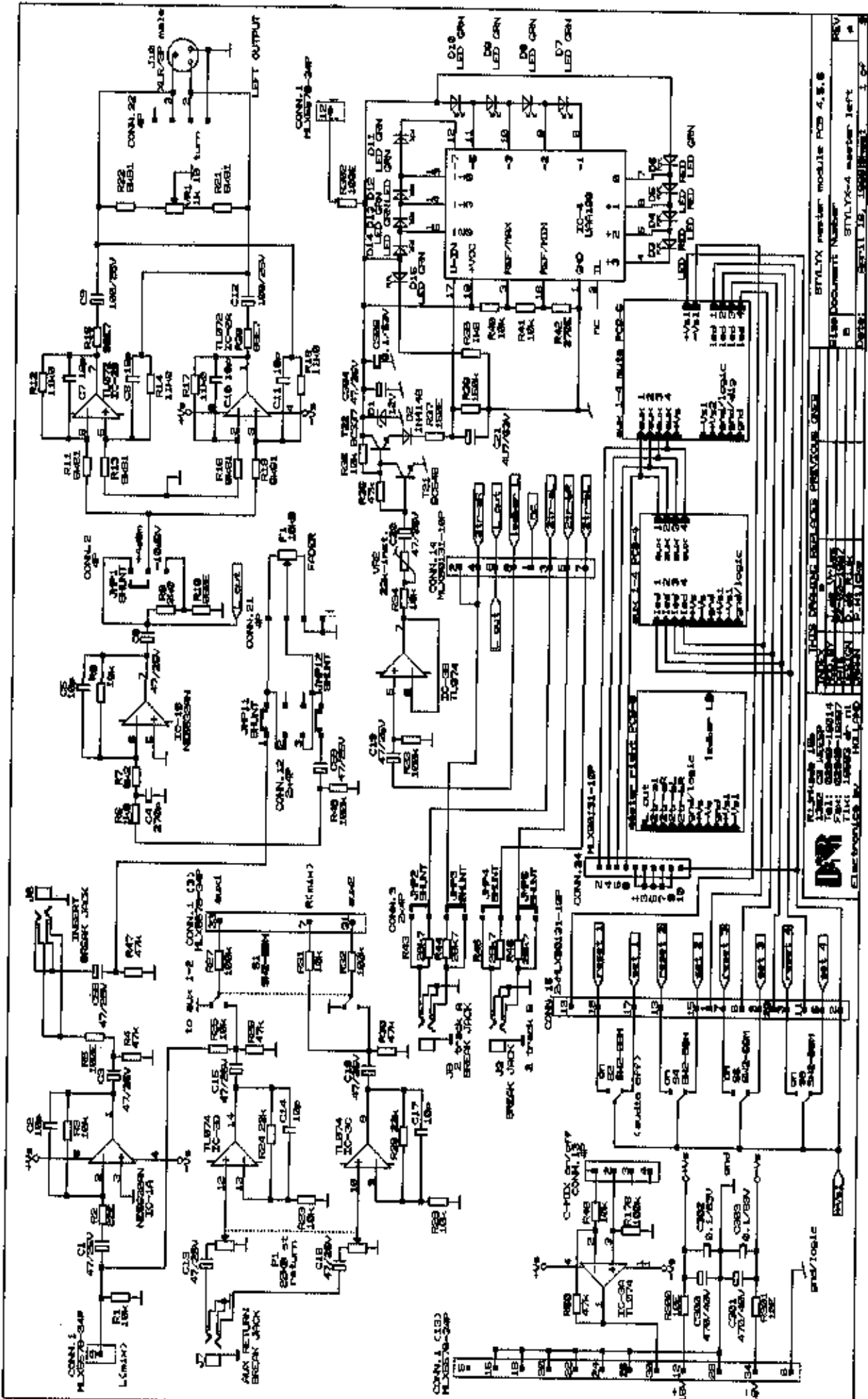
STEREO CHANNEL PART 1
 SL36
 STEREO CHANNEL PART 1
 SL36



DAE
 ELECTRONICS BY HALLADO
 1100 S. 10th St. #101
 Phoenix, AZ 85006
 (602) 251-1100
 FAX: (602) 251-1101
 WWW: WWW.DAE.COM
 FOR SERVICE AND REPAIRS ONLY
 SUBPARTS NUMBER: 8711-00-00 stereo channel
 PART NUMBER: 8711-00-00 stereo channel





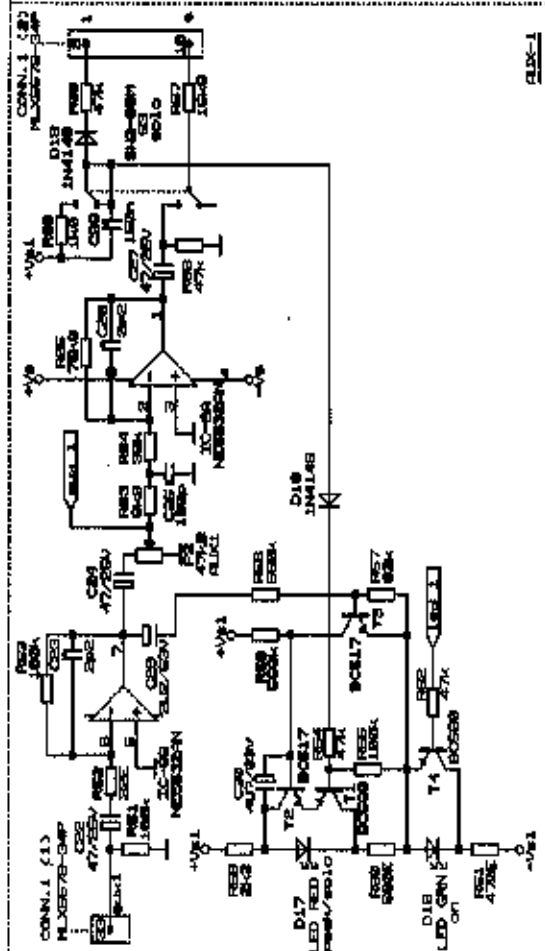


STYLIX master module PCB 4.8.8
 REV. 1
 DATE: 11/15/88
 DRAWN: J. B. HARRIS
 CHECKED: J. B. HARRIS
 APPROVED: J. B. HARRIS

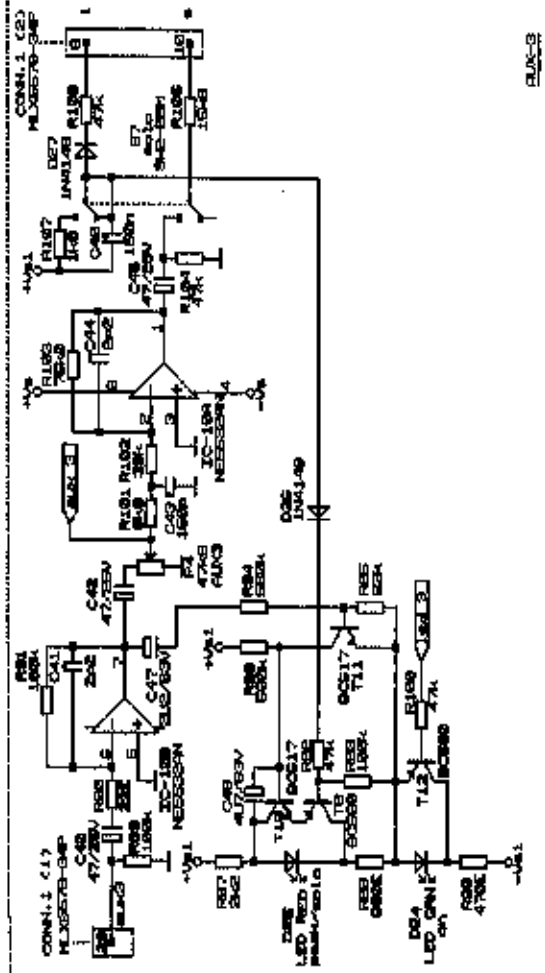
IC-1: 555
 IC-2: 74148
 IC-3: 74147
 IC-4: 74149
 IC-5: 74145
 IC-6: 74146
 IC-7: 74147
 IC-8: 74148

RESISTOR VALUE LIST:
 R1: 10K
 R2: 10K
 R3: 10K
 R4: 10K
 R5: 10K
 R6: 10K
 R7: 10K
 R8: 10K
 R9: 10K
 R10: 10K
 R11: 10K
 R12: 10K
 R13: 10K
 R14: 10K
 R15: 10K
 R16: 10K
 R17: 10K
 R18: 10K
 R19: 10K
 R20: 10K
 R21: 10K
 R22: 10K
 R23: 10K
 R24: 10K
 R25: 10K
 R26: 10K
 R27: 10K
 R28: 10K
 R29: 10K
 R30: 10K

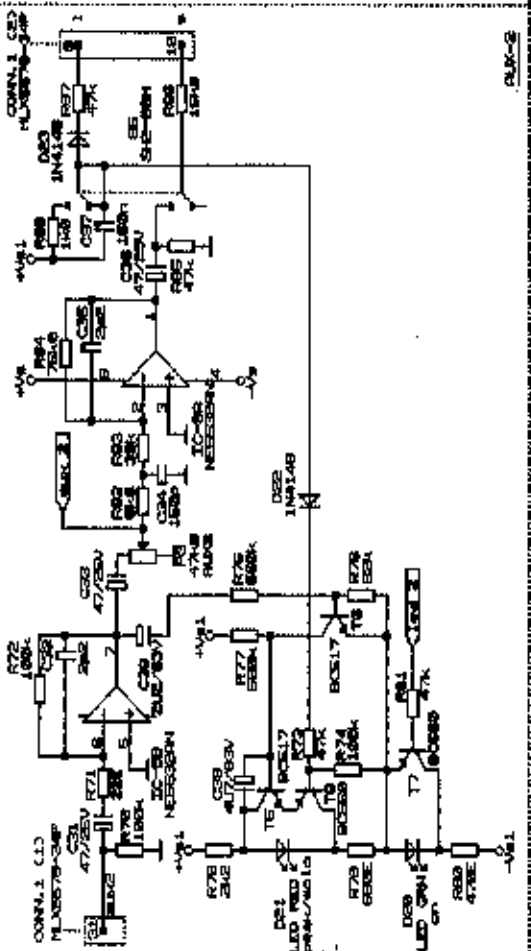
Capacitor Value List:
 C1: 100nF
 C2: 100nF
 C3: 100nF
 C4: 100nF
 C5: 100nF
 C6: 100nF
 C7: 100nF
 C8: 100nF
 C9: 100nF
 C10: 100nF
 C11: 100nF
 C12: 100nF



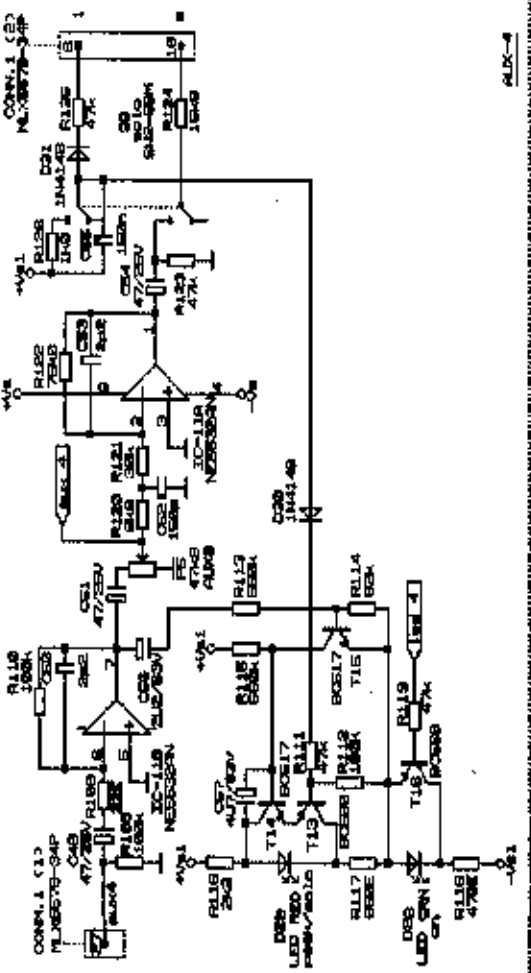
BLK-1



BLK-2



BLK-3



BLK-4



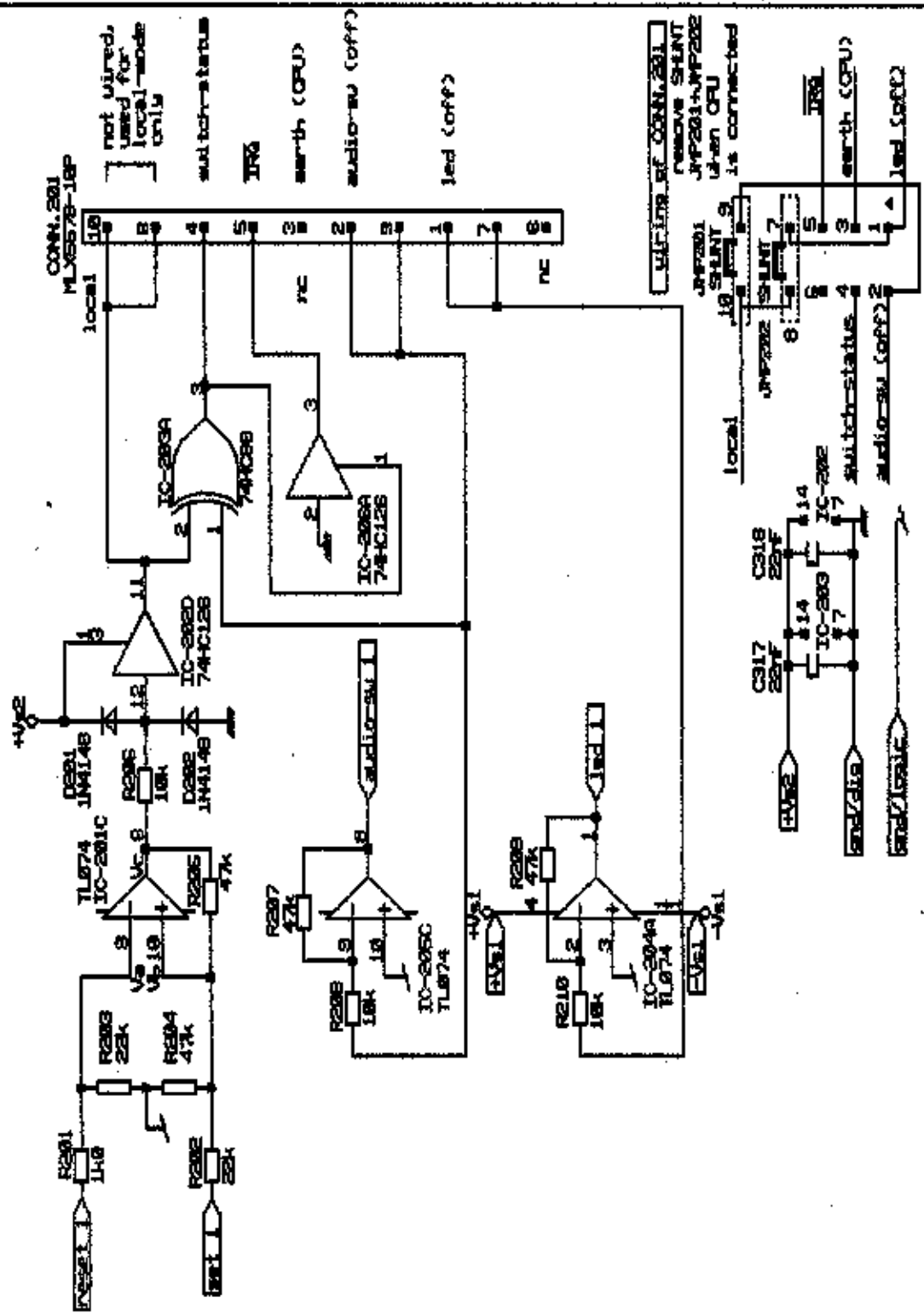
REV	7	DATE	1967-08-15	BY	W. J. B. / J. M. B.
REV	6	DATE	1967-08-15	BY	W. J. B. / J. M. B.
REV	5	DATE	1967-08-15	BY	W. J. B. / J. M. B.
REV	4	DATE	1967-08-15	BY	W. J. B. / J. M. B.
REV	3	DATE	1967-08-15	BY	W. J. B. / J. M. B.
REV	2	DATE	1967-08-15	BY	W. J. B. / J. M. B.
REV	1	DATE	1967-08-15	BY	W. J. B. / J. M. B.

STYLIX master module PCB 4, 5, 8
 DRAWING DOCUMENT NUMBER
 STYLIX-4 sub 1 to 4
 DATE 1967-08-15
 BY W. J. B. / J. M. B.

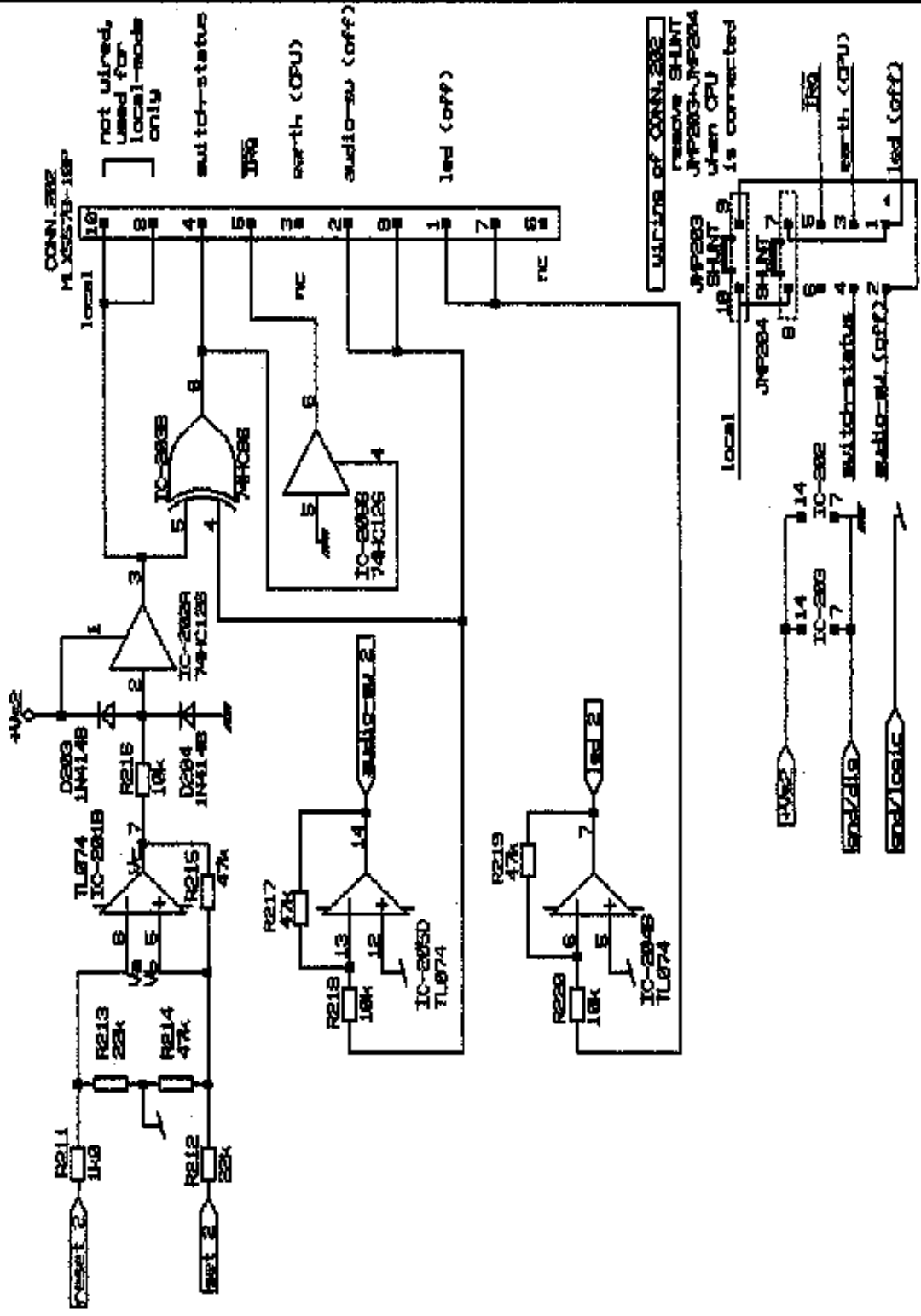
REVISIONS
 REV 7
 REV 6
 REV 5
 REV 4
 REV 3
 REV 2
 REV 1

DATE 1967-08-15
 BY W. J. B. / J. M. B.

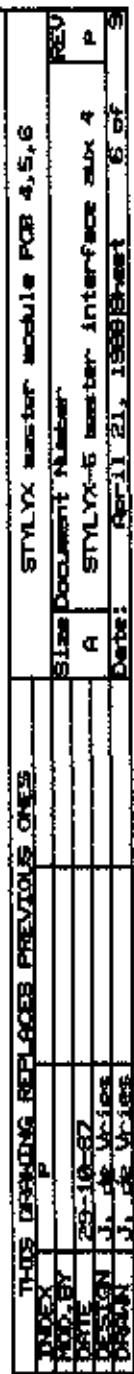
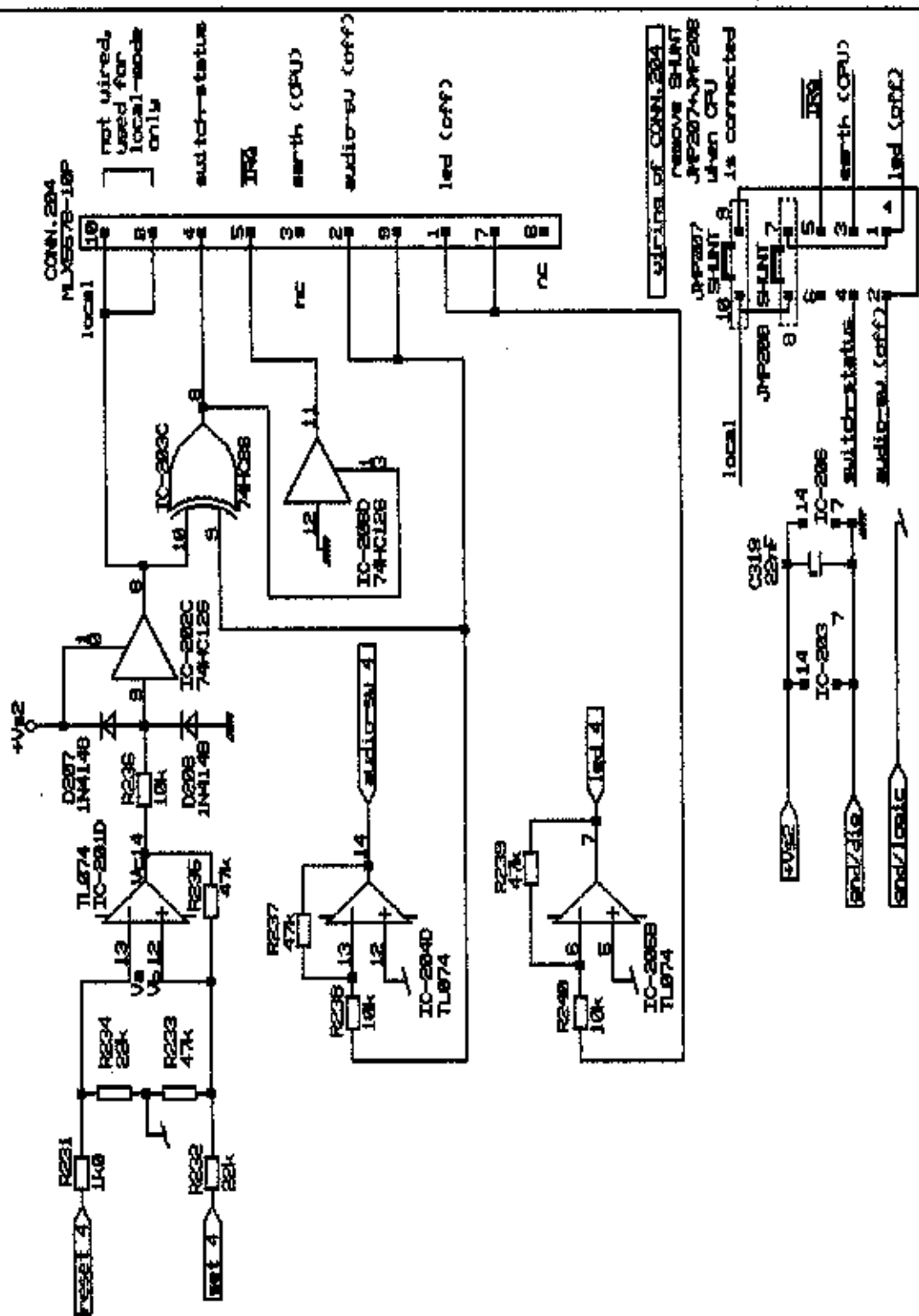
DATE 1967-08-15
 BY W. J. B. / J. M. B.



THIS DRAWING REPLACES PREVIOUS ONES	
INDEX NO. BY DATE REVISION DRAWN CHECKED	STYLIX master module PCB 4,5,6 Size Document Number A STYLIX-5 master interface aux 1 Date: March 9, 2008 Sheet 3 of 5
Rijkswaade 18b 1382 GS MEESP Tel: 02346-18814 Fax: 02346-18867 Tlx: 18883 dr ni HOLLAND	Electronics by



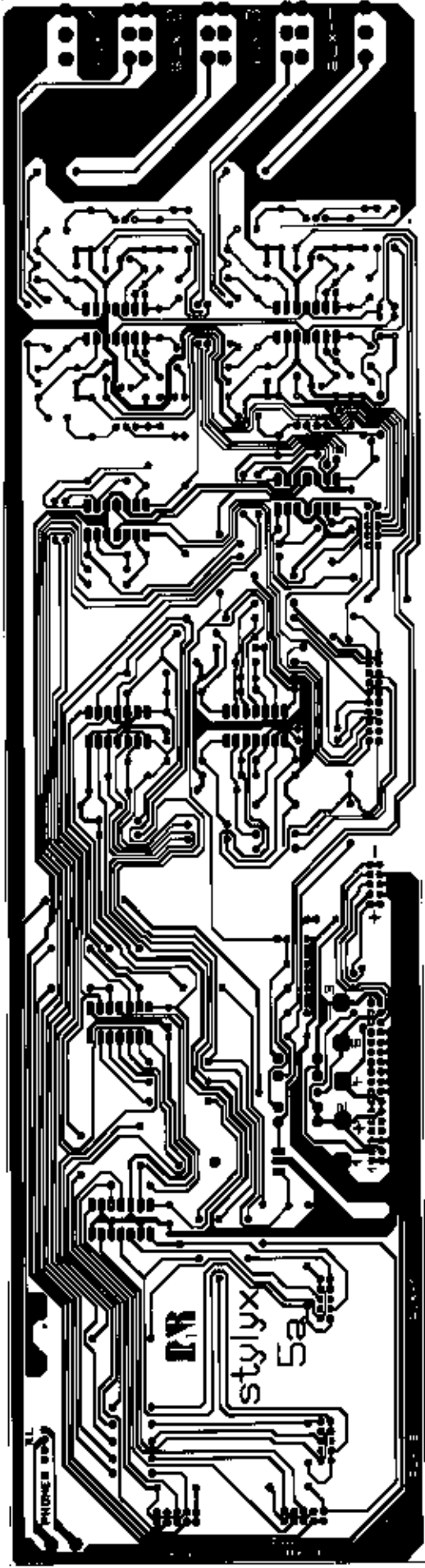
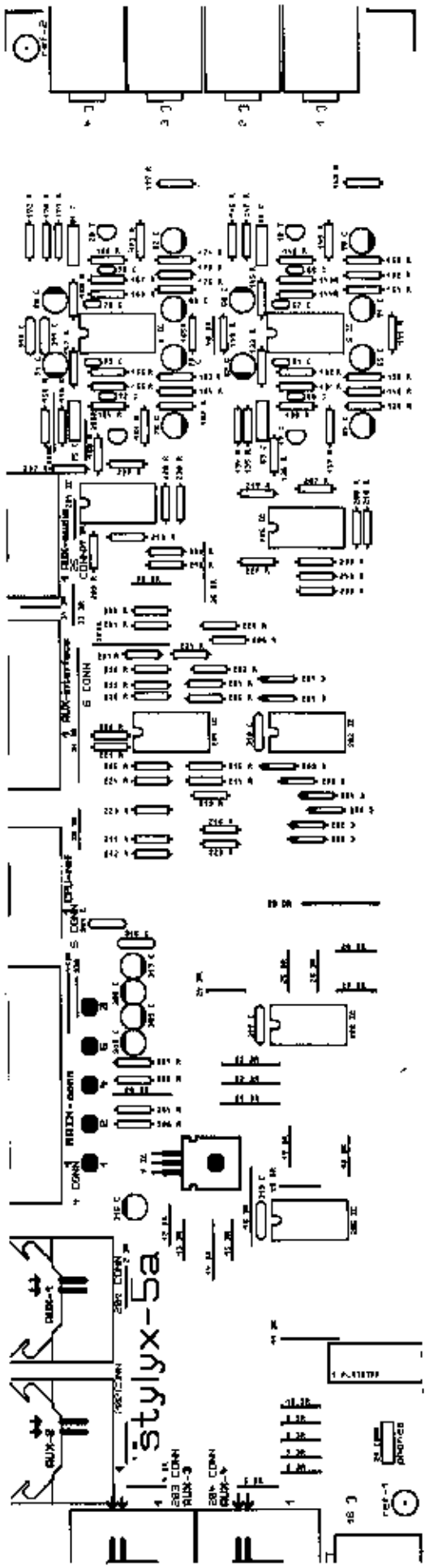
<p>INDEX</p> <p>REV</p> <p>DATE</p> <p>BY</p> <p>DESIGN</p> <p>DRAWN</p>	<p>THIS DESIGN REPLACES PREVIOUS ONES</p> <p>STYLIX master module PCB 4,5,6</p> <p>Size Document Number</p> <p>STYLIX-5 master interface sub 2</p> <p>March 5, 2003 Sheet 4 of 5</p>
<p>1582 GS 1400BP</p> <p>Tel: 02940-18014</p> <p>Fax: 02940-18087</p> <p>Tlx: 16583 dr nl</p> <p>Electronics by HOLLAND</p>	<p>28-16-87</p> <p>J. de Vries</p> <p>J. de Vries</p>



THIS DRAWING REPLACES PREVIOUS ONE'S

INDEX	P
REV	REV
DATE	29-10-87
DESIGN	J. de Vries
DRAWN	J. de Vries

RLM-ade 1Bp
 1362 GS MESP
 Tel: 02940-18814
 Fax: 02940-18867
 Tlx: 18503 dr nl
 Hollands
 Electronics bv



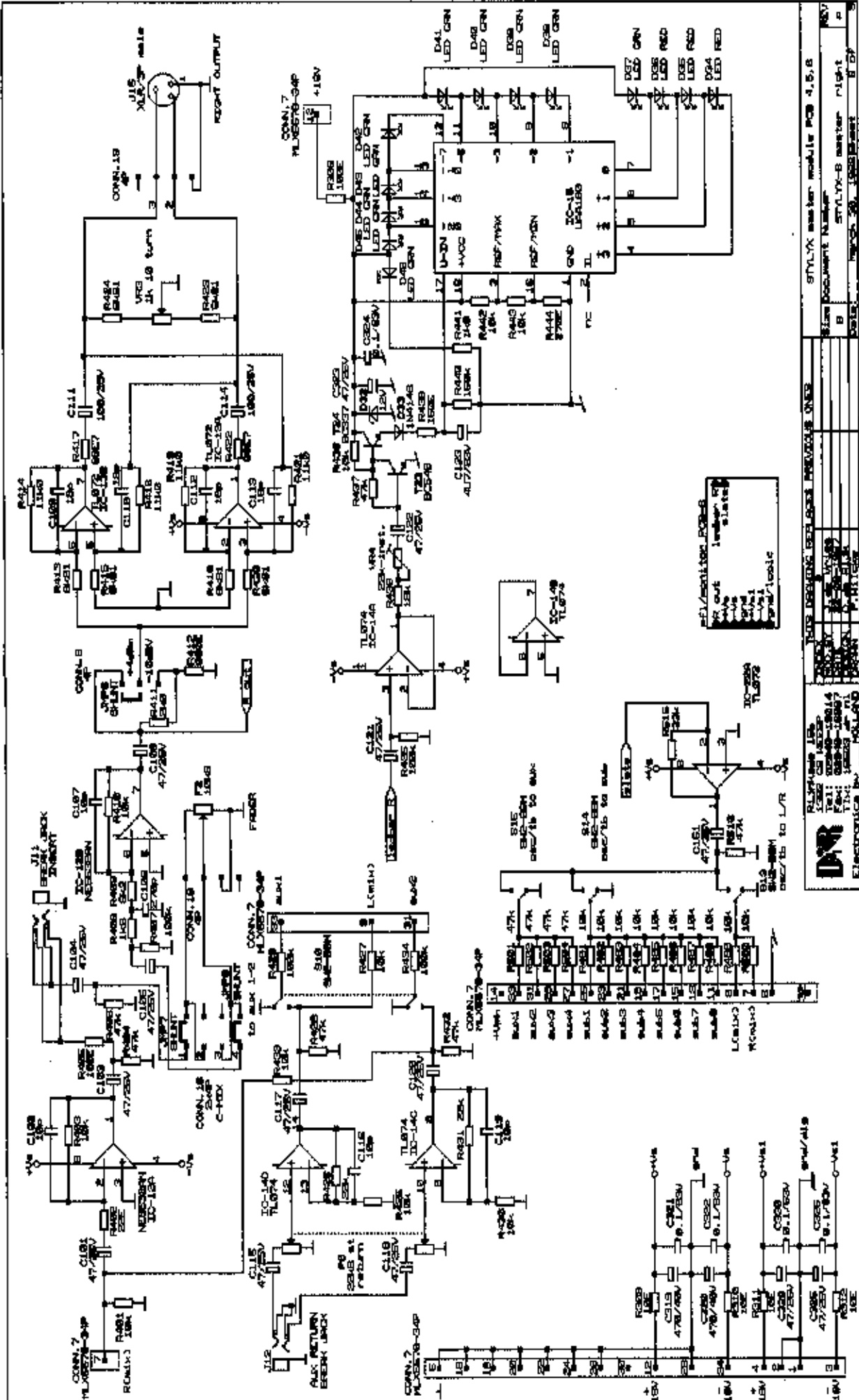
NOTES

THIS DRAWING REPLACES PREVIOUS ONES

INDEX	MOD. BY
DATE	CHECK 1
CHECK 2	DRAWN

TITLE :

TELEX 18503 dr ml
 TELEPHONE 02940-18074
 PCB REF. NO. RUTNADE 15B
 DESIGN DATE 1982GS-JEESP
 SHEET _____ OF _____
 Electronica by Holland

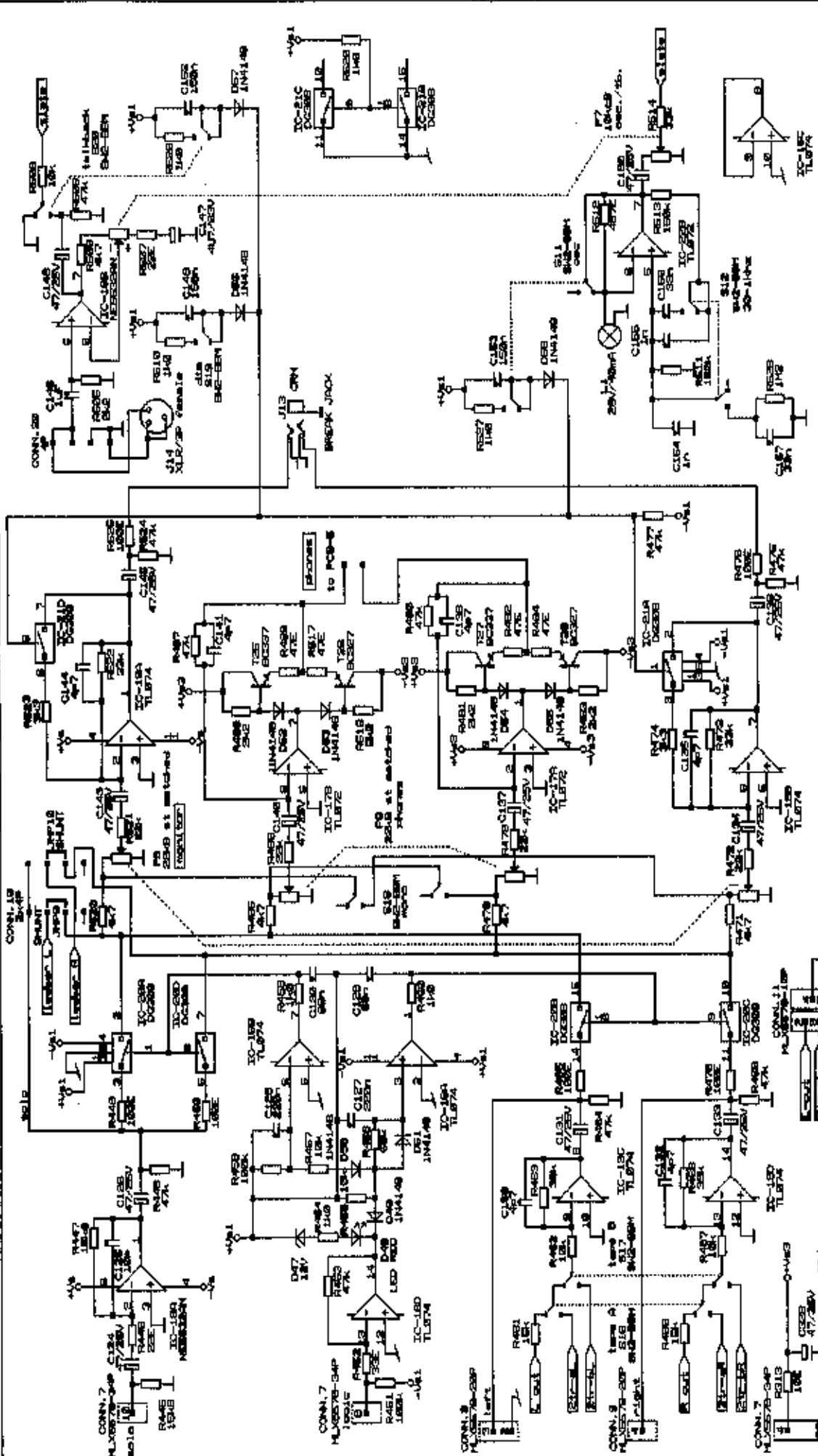


REV	1	DATE	10/15/83	BY	WJL
REV	2	DATE	11/15/83	BY	WJL
REV	3	DATE	12/15/83	BY	WJL
REV	4	DATE	1/15/84	BY	WJL
REV	5	DATE	2/15/84	BY	WJL
REV	6	DATE	3/15/84	BY	WJL
REV	7	DATE	4/15/84	BY	WJL
REV	8	DATE	5/15/84	BY	WJL
REV	9	DATE	6/15/84	BY	WJL
REV	10	DATE	7/15/84	BY	WJL
REV	11	DATE	8/15/84	BY	WJL
REV	12	DATE	9/15/84	BY	WJL
REV	13	DATE	10/15/84	BY	WJL
REV	14	DATE	11/15/84	BY	WJL
REV	15	DATE	12/15/84	BY	WJL
REV	16	DATE	1/15/85	BY	WJL
REV	17	DATE	2/15/85	BY	WJL
REV	18	DATE	3/15/85	BY	WJL
REV	19	DATE	4/15/85	BY	WJL
REV	20	DATE	5/15/85	BY	WJL
REV	21	DATE	6/15/85	BY	WJL
REV	22	DATE	7/15/85	BY	WJL
REV	23	DATE	8/15/85	BY	WJL
REV	24	DATE	9/15/85	BY	WJL
REV	25	DATE	10/15/85	BY	WJL
REV	26	DATE	11/15/85	BY	WJL
REV	27	DATE	12/15/85	BY	WJL
REV	28	DATE	1/15/86	BY	WJL
REV	29	DATE	2/15/86	BY	WJL
REV	30	DATE	3/15/86	BY	WJL
REV	31	DATE	4/15/86	BY	WJL
REV	32	DATE	5/15/86	BY	WJL
REV	33	DATE	6/15/86	BY	WJL
REV	34	DATE	7/15/86	BY	WJL
REV	35	DATE	8/15/86	BY	WJL
REV	36	DATE	9/15/86	BY	WJL
REV	37	DATE	10/15/86	BY	WJL
REV	38	DATE	11/15/86	BY	WJL
REV	39	DATE	12/15/86	BY	WJL
REV	40	DATE	1/15/87	BY	WJL
REV	41	DATE	2/15/87	BY	WJL
REV	42	DATE	3/15/87	BY	WJL
REV	43	DATE	4/15/87	BY	WJL
REV	44	DATE	5/15/87	BY	WJL
REV	45	DATE	6/15/87	BY	WJL
REV	46	DATE	7/15/87	BY	WJL
REV	47	DATE	8/15/87	BY	WJL
REV	48	DATE	9/15/87	BY	WJL
REV	49	DATE	10/15/87	BY	WJL
REV	50	DATE	11/15/87	BY	WJL
REV	51	DATE	12/15/87	BY	WJL
REV	52	DATE	1/15/88	BY	WJL
REV	53	DATE	2/15/88	BY	WJL
REV	54	DATE	3/15/88	BY	WJL
REV	55	DATE	4/15/88	BY	WJL
REV	56	DATE	5/15/88	BY	WJL
REV	57	DATE	6/15/88	BY	WJL
REV	58	DATE	7/15/88	BY	WJL
REV	59	DATE	8/15/88	BY	WJL
REV	60	DATE	9/15/88	BY	WJL
REV	61	DATE	10/15/88	BY	WJL
REV	62	DATE	11/15/88	BY	WJL
REV	63	DATE	12/15/88	BY	WJL
REV	64	DATE	1/15/89	BY	WJL
REV	65	DATE	2/15/89	BY	WJL
REV	66	DATE	3/15/89	BY	WJL
REV	67	DATE	4/15/89	BY	WJL
REV	68	DATE	5/15/89	BY	WJL
REV	69	DATE	6/15/89	BY	WJL
REV	70	DATE	7/15/89	BY	WJL
REV	71	DATE	8/15/89	BY	WJL
REV	72	DATE	9/15/89	BY	WJL
REV	73	DATE	10/15/89	BY	WJL
REV	74	DATE	11/15/89	BY	WJL
REV	75	DATE	12/15/89	BY	WJL
REV	76	DATE	1/15/90	BY	WJL
REV	77	DATE	2/15/90	BY	WJL
REV	78	DATE	3/15/90	BY	WJL
REV	79	DATE	4/15/90	BY	WJL
REV	80	DATE	5/15/90	BY	WJL
REV	81	DATE	6/15/90	BY	WJL
REV	82	DATE	7/15/90	BY	WJL
REV	83	DATE	8/15/90	BY	WJL
REV	84	DATE	9/15/90	BY	WJL
REV	85	DATE	10/15/90	BY	WJL
REV	86	DATE	11/15/90	BY	WJL
REV	87	DATE	12/15/90	BY	WJL
REV	88	DATE	1/15/91	BY	WJL
REV	89	DATE	2/15/91	BY	WJL
REV	90	DATE	3/15/91	BY	WJL
REV	91	DATE	4/15/91	BY	WJL
REV	92	DATE	5/15/91	BY	WJL
REV	93	DATE	6/15/91	BY	WJL
REV	94	DATE	7/15/91	BY	WJL
REV	95	DATE	8/15/91	BY	WJL
REV	96	DATE	9/15/91	BY	WJL
REV	97	DATE	10/15/91	BY	WJL
REV	98	DATE	11/15/91	BY	WJL
REV	99	DATE	12/15/91	BY	WJL
REV	100	DATE	1/15/92	BY	WJL

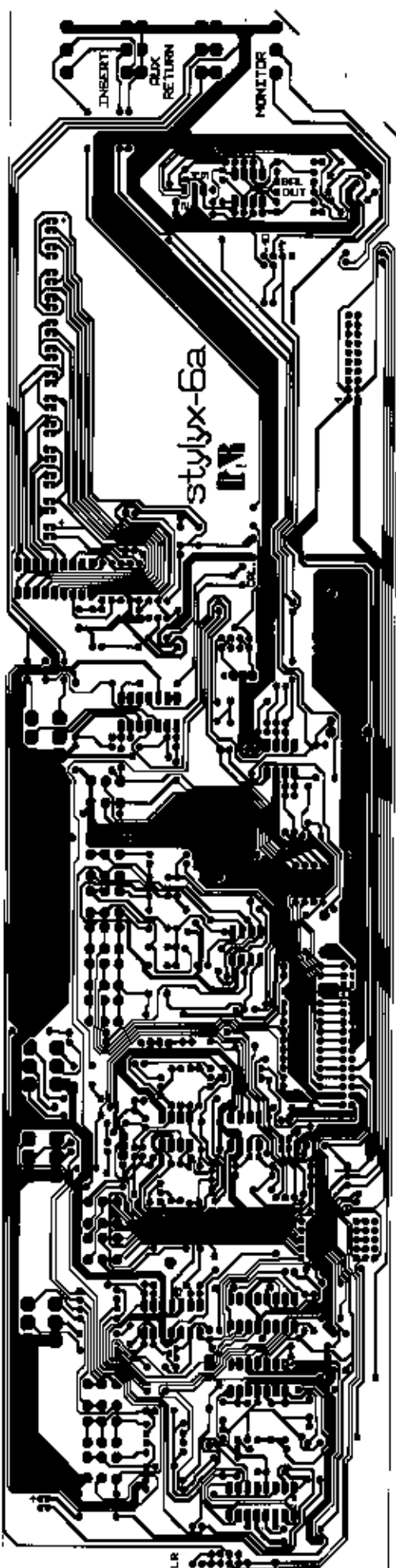
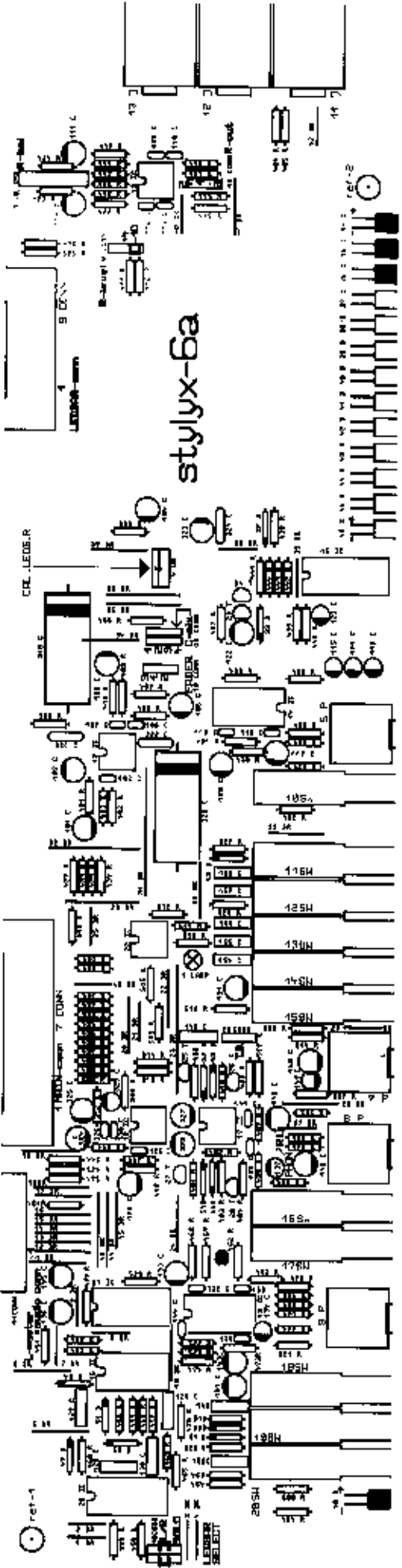
THIS DRAWING IS THE PROPERTY OF DOR ELECTRONICS, INC. IT IS TO BE KEPT IN CONFIDENTIALITY AND NOT TO BE REPRODUCED OR TRANSMITTED IN ANY FORM OR BY ANY MEANS, ELECTRONIC OR MECHANICAL, INCLUDING PHOTOCOPYING, RECORDING, OR BY ANY INFORMATION STORAGE AND RETRIEVAL SYSTEM.

DOR
 Electronics Inc.

THIS DRAWING IS THE PROPERTY OF DOR ELECTRONICS, INC. IT IS TO BE KEPT IN CONFIDENTIALITY AND NOT TO BE REPRODUCED OR TRANSMITTED IN ANY FORM OR BY ANY MEANS, ELECTRONIC OR MECHANICAL, INCLUDING PHOTOCOPYING, RECORDING, OR BY ANY INFORMATION STORAGE AND RETRIEVAL SYSTEM.



REV 1 2 3 4 5 6 7 8 9 10 11 12 13 14 15 16 17 18 19 20 21 22 23 24 25 26 27 28 29 30 31 32 33 34 35 36 37 38 39 40 41 42 43 44 45 46 47 48 49 50 51 52 53 54 55 56 57 58 59 60 61 62 63 64 65 66 67 68 69 70 71 72 73 74 75 76 77 78 79 80 81 82 83 84 85 86 87 88 89 90 91 92 93 94 95 96 97 98 99 100 101 102 103 104 105 106 107 108 109 110 111 112 113 114 115 116 117 118 119 120 121 122 123 124 125 126 127 128 129 130 131 132 133 134 135 136 137 138 139 140 141 142 143 144 145 146 147 148 149 150 151 152 153 154 155 156 157 158 159 160 161 162 163 164 165 166 167 168 169 170 171 172 173 174 175 176 177 178 179 180 181 182 183 184 185 186 187 188 189 190 191 192 193 194 195 196 197 198 199 200 201 202 203 204 205 206 207 208 209 210 211 212 213 214 215 216 217 218 219 220 221 222 223 224 225 226 227 228 229 230 231 232 233 234 235 236 237 238 239 240 241 242 243 244 245 246 247 248 249 250 251 252 253 254 255 256 257 258 259 260 261 262 263 264 265 266 267 268 269 270 271 272 273 274 275 276 277 278 279 280 281 282 283 284 285 286 287 288 289 290 291 292 293 294 295 296 297 298 299 300 301 302 303 304 305 306 307 308 309 310 311 312 313 314 315 316 317 318 319 320 321 322 323 324 325 326 327 328 329 330 331 332 333 334 335 336 337 338 339 340 341 342 343 344 345 346 347 348 349 350 351 352 353 354 355 356 357 358 359 360 361 362 363 364 365 366 367 368 369 370 371 372 373 374 375 376 377 378 379 380 381 382 383 384 385 386 387 388 389 390 391 392 393 394 395 396 397 398 399 400 401 402 403 404 405 406 407 408 409 410 411 412 413 414 415 416 417 418 419 420 421 422 423 424 425 426 427 428 429 430 431 432 433 434 435 436 437 438 439 440 441 442 443 444 445 446 447 448 449 450 451 452 453 454 455 456 457 458 459 460 461 462 463 464 465 466 467 468 469 470 471 472 473 474 475 476 477 478 479 480 481 482 483 484 485 486 487 488 489 490 491 492 493 494 495 496 497 498 499 500 501 502 503 504 505 506 507 508 509 510 511 512 513 514 515 516 517 518 519 520 521 522 523 524 525 526 527 528 529 530 531 532 533 534 535 536 537 538 539 540 541 542 543 544 545 546 547 548 549 550 551 552 553 554 555 556 557 558 559 560 561 562 563 564 565 566 567 568 569 570 571 572 573 574 575 576 577 578 579 580 581 582 583 584 585 586 587 588 589 590 591 592 593 594 595 596 597 598 599 600 601 602 603 604 605 606 607 608 609 610 611 612 613 614 615 616 617 618 619 620 621 622 623 624 625 626 627 628 629 630 631 632 633 634 635 636 637 638 639 640 641 642 643 644 645 646 647 648 649 650 651 652 653 654 655 656 657 658 659 660 661 662 663 664 665 666 667 668 669 670 671 672 673 674 675 676 677 678 679 680 681 682 683 684 685 686 687 688 689 690 691 692 693 694 695 696 697 698 699 700 701 702 703 704 705 706 707 708 709 710 711 712 713 714 715 716 717 718 719 720 721 722 723 724 725 726 727 728 729 730 731 732 733 734 735 736 737 738 739 740 741 742 743 744 745 746 747 748 749 750 751 752 753 754 755 756 757 758 759 760 761 762 763 764 765 766 767 768 769 770 771 772 773 774 775 776 777 778 779 780 781 782 783 784 785 786 787 788 789 790 791 792 793 794 795 796 797 798 799 800 801 802 803 804 805 806 807 808 809 810 811 812 813 814 815 816 817 818 819 820 821 822 823 824 825 826 827 828 829 830 831 832 833 834 835 836 837 838 839 840 841 842 843 844 845 846 847 848 849 850 851 852 853 854 855 856 857 858 859 860 861 862 863 864 865 866 867 868 869 870 871 872 873 874 875 876 877 878 879 880 881 882 883 884 885 886 887 888 889 890 891 892 893 894 895 896 897 898 899 900 901 902 903 904 905 906 907 908 909 910 911 912 913 914 915 916 917 918 919 920 921 922 923 924 925 926 927 928 929 930 931 932 933 934 935 936 937 938 939 940 941 942 943 944 945 946 947 948 949 950 951 952 953 954 955 956 957 958 959 960 961 962 963 964 965 966 967 968 969 970 971 972 973 974 975 976 977 978 979 980 981 982 983 984 985 986 987 988 989 990 991 992 993 994 995 996 997 998 999 1000 1001 1002 1003 1004 1005 1006 1007 1008 1009 1010 1011 1012 1013 1014 1015 1016 1017 1018 1019 1020 1021 1022 1023 1024 1025 1026 1027 1028 1029 1030 1031 1032 1033 1034 1035 1036 1037 1038 1039 1040 1041 1042 1043 1044 1045 1046 1047 1048 1049 1050 1051 1052 1053 1054 1055 1056 1057 1058 1059 1060 1061 1062 1063 1064 1065 1066 1067 1068 1069 1070 1071 1072 1073 1074 1075 1076 1077 1078 1079 1080 1081 1082 1083 1084 1085 1086 1087 1088 1089 1090 1091 1092 1093 1094 1095 1096 1097 1098 1099 1100 1101 1102 1103 1104 1105 1106 1107 1108 1109 1110 1111 1112 1113 1114 1115 1116 1117 1118 1119 1120 1121 1122 1123 1124 1125 1126 1127 1128 1129 1130 1131 1132 1133 1134 1135 1136 1137 1138 1139 1140 1141 1142 1143 1144 1145 1146 1147 1148 1149 1150 1151 1152 1153 1154 1155 1156 1157 1158 1159 1160 1161 1162 1163 1164 1165 1166 1167 1168 1169 1170 1171 1172 1173 1174 1175 1176 1177 1178 1179 1180 1181 1182 1183 1184 1185 1186 1187 1188 1189 1190 1191 1192 1193 1194 1195 1196 1197 1198 1199 1200 1201 1202 1203 1204 1205 1206 1207 1208 1209 1210 1211 1212 1213 1214 1215 1216 1217 1218 1219 1220 1221 1222 1223 1224 1225 1226 1227 1228 1229 1230 1231 1232 1233 1234 1235 1236 1237 1238 1239 1240 1241 1242 1243 1244 1245 1246 1247 1248 1249 1250 1251 1252 1253 1254 1255 1256 1257 1258 1259 1260 1261 1262 1263 1264 1265 1266 1267 1268 1269 1270 1271 1272 1273 1274 1275 1276 1277 1278 1279 1280 1281 1282 1283 1284 1285 1286 1287 1288 1289 1290 1291 1292 1293 1294 1295 1296 1297 1298 1299 1300 1301 1302 1303 1304 1305 1306 1307 1308 1309 1310 1311 1312 1313 1314 1315 1316 1317 1318 1319 1320 1321 1322 1323 1324 1325 1326 1327 1328 1329 1330 1331 1332 1333 1334 1335 1336 1337 1338 1339 1340 1341 1342 1343 1344 1345 1346 1347 1348 1349 1350 1351 1352 1353 1354 1355 1356 1357 1358 1359 1360 1361 1362 1363 1364 1365 1366 1367 1368 1369 1370 1371 1372 1373 1374 1375 1376 1377 1378 1379 1380 1381 1382 1383 1384 1385 1386 1387 1388 1389 1390 1391 1392 1393 1394 1395 1396 1397 1398 1399 1400 1401 1402 1403 1404 1405 1406 1407 1408 1409 1410 1411 1412 1413 1414 1415 1416 1417 1418 1419 1420 1421 1422 1423 1424 1425 1426 1427 1428 1429 1430 1431 1432 1433 1434 1435 1436 1437 1438 1439 1440 1441 1442 1443 1444 1445 1446 1447 1448 1449 1450 1451 1452 1453 1454 1455	
---	--

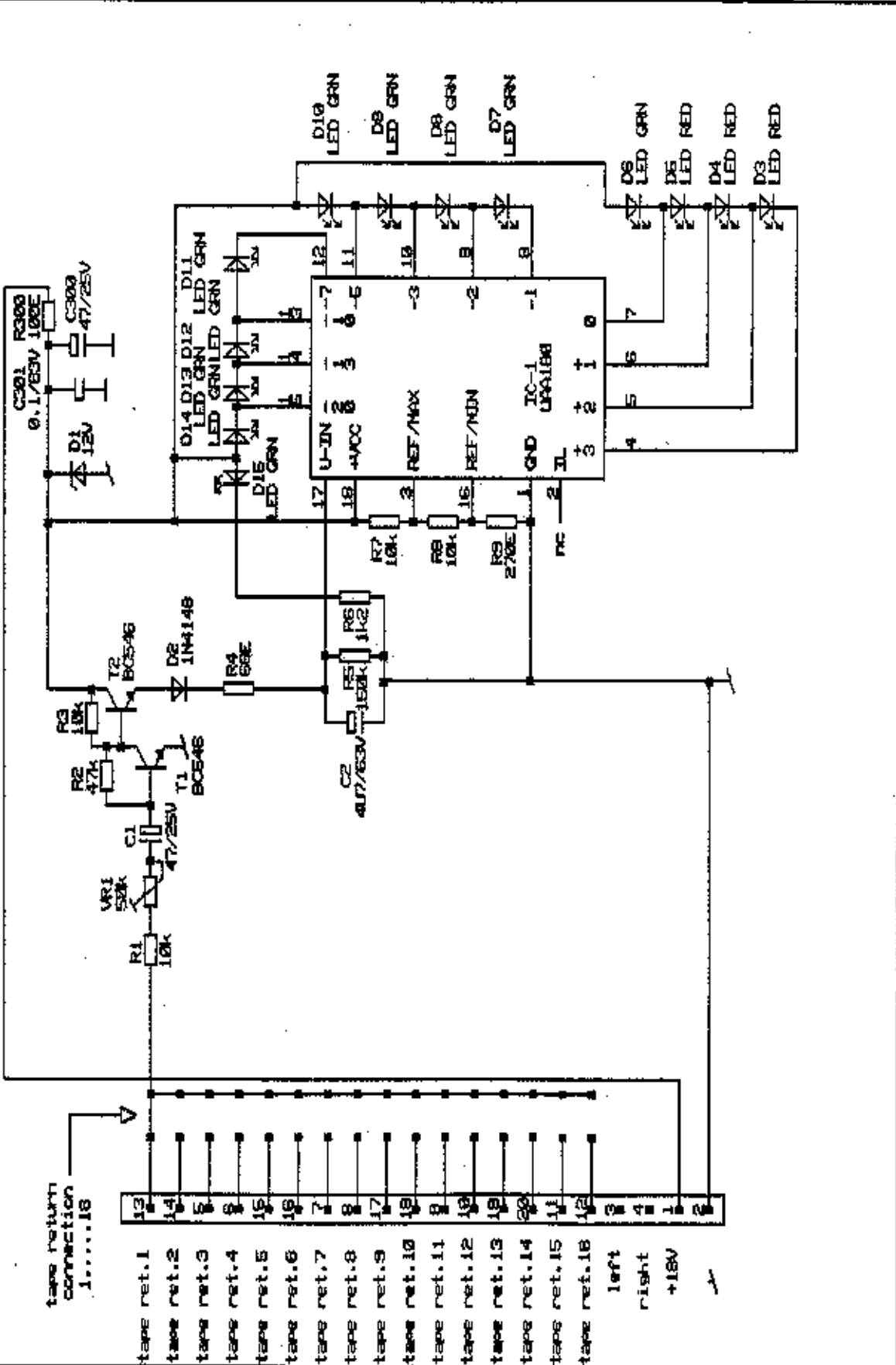


TELEX
18503 dr n.
TELEPHONE
02940-18014
RIJNSIDE 15P
1382GS 4E5P
electronic by Holland

TITLE:
PCB REF. n.
DESIGN
DATE
SHEET

THIS DRAWING REPLACES PREVIOUS ONES
INDEX
MOD. BY.
DATE
CHECK 1
CHECK 2
DRAWN

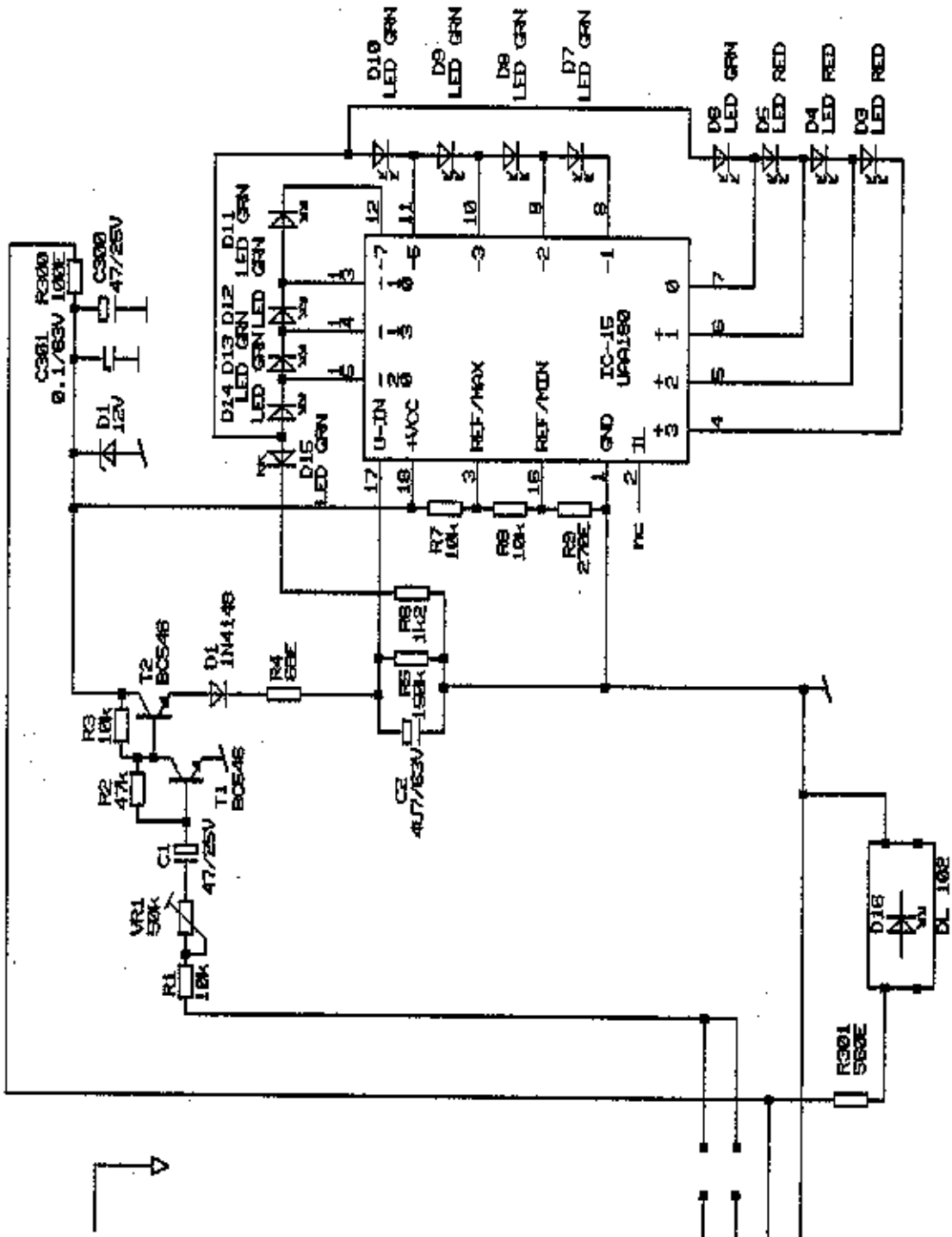
NOTES



THIS DRAWING REPLACES PREVIOUS ONES THIS DRAWING REPLACES PREVIOUS ONES		STYLIX-7 STYLIX-7	
TITLE: STYLIX-7 DATE: 17-05-1987 DESIGN: P. MITCHELL DRAWN: P. MITCHELL	SIZE: A DATE: 17-05-1987 DESIGN: P. MITCHELL DRAWN: P. MITCHELL	SIZE: A DATE: 17-05-1987 DESIGN: P. MITCHELL DRAWN: P. MITCHELL	SIZE: A DATE: 17-05-1987 DESIGN: P. MITCHELL DRAWN: P. MITCHELL
RI: 16kΩ CS: 47/25V Tel: 02540-18814 Fax: 02540-18867 Tlx: 183303 HOLLAND Electronics by	RI: 16kΩ CS: 47/25V Tel: 02540-18814 Fax: 02540-18867 Tlx: 183303 HOLLAND Electronics by	RI: 16kΩ CS: 47/25V Tel: 02540-18814 Fax: 02540-18867 Tlx: 183303 HOLLAND Electronics by	RI: 16kΩ CS: 47/25V Tel: 02540-18814 Fax: 02540-18867 Tlx: 183303 HOLLAND Electronics by

tape return connection
1.....16

- tape ret.1
- tape ret.2
- tape ret.3
- tape ret.4
- tape ret.5
- tape ret.6
- tape ret.7
- tape ret.8
- tape ret.9
- tape ret.10
- tape ret.11
- tape ret.12
- tape ret.13
- tape ret.14
- tape ret.15
- tape ret.16
- left
- right
- +18V



DAR
 Electronics by HOLLAND
 1382 GS NEEP
 Tel: 02940-18814
 Fax: 02940-18387
 Tlx: 18503 dr nl

THIS DRAWING REPLACES PREVIOUS ONES
 INDEX a
 MOD. BY J. de Vries
 DATE 17-03-1987
 DESIGN D. de Rijk
 DRAWN P. Klicke

STYLX-8
 Size Document Number
 8
 STYLX-8 leader
 Date: June 2, 1988 Sheet 1 of 1

pin nr.:	function:
1	digital ground
2	digital ground
3	- 18 V (for logic supplies)
4	+ 18 V (for logic supplies)
5	audio ground
6	ground logic
7	right master mixbuss
8	logic buss
9	left master mixbuss
10	solo mixbuss
11	sub 8 mixbuss
12	+ 18 V (for audio supply)
13	sub 7 mixbuss
14	+ V phantom (+48V)
15	sub 8 mixbuss
16	audio ground
17	sub 5 mixbuss
18	audio ground
19	sub 4 mixbuss
20	audio ground
21	sub 3 mixbuss
22	audio ground
23	sub 2 mixbuss
24	audio ground
25	sub 1 mixbuss
26	audio ground
27	aux 4 mixbuss
28	audio ground
29	aux 3 mixbuss
30	C-mix on/off (optional)
31	aux 2 mixbuss
32	chassis earth
33	aux 1 mixbuss
34	- 18 V (for audio supply)

2

34

TOP VIEW CONNECTOR

1

33

pin nr.: function: CONN 6 on PCB-5 <---> CONN 15 on PCB-4

1	aux-4 LED
2	+ Vsl supply (from PCB-5)
3	aux-4 reset
4	n.o.
5	aux-4 set audio
6	aux-3 LED
7	aux-3 reset audio
8	n.o.
9	aux-3 set audio
10	n.o.
11	aux-1 LED
12	n.o.
13	aux-2 reset audio
14	n.o.
15	aux-2 set audio
16	n.o.
17	aux-1 set audio
18	aux-1 reset audio
19	- Vsl supply (from PCB-5)
20	aux-2 LED

2 20

***** TOP VIEW CONNECTOR *****

1 19

pin nr.: function: CONN 25 on PCB-5 <---> CONN 24 on PCB-4

1	ground shield (from PCB-4)
2	aux-4 (slider)
3	ground shield (from PCB-4)
4	aux-3 (slider)
5	ground shield (from PCB-4)
6	aux-2 (slider)
7	ground shield (from PCB-4)
8	aux-1 (slider)
9	ground shield (from PCB-4)
10	+ Vsl (from PCB-5)

2 10

***** TOP VIEW CONNECTOR *****

1 9

pin nr.: function: CONN 14 on PCB-4 <---> CONN 11 on PCB-8

1	L-LEDbar send (to PCB-4)
2	L-out (0dBu)
3	two-track B right-input
4	ground shield (from PCB-4)
5	two-track B left-input
6	ground shield (from PCB-4)
7	two-track A right-input
8	ground shield (from PCB-4)
9	two-track A left-input
10	ground shield (from PCB-4)

2 10

*****	TOP VIEW CONNECTOR

^ 1 9

STYLYX CPU-REFERENCE CONN.

pin nr.: function: CONN 5 on PCB-5 <---> on CPU module

1	+ 18 V
2	+ 18 V
3	+ 48 V (phantoms)
4	earth
5	C-mix on/off
6	earth
7	chassis earth
8	earth
9	- 18 V
10	- 18 V

2 10

*****	TOP VIEW CONNECTOR

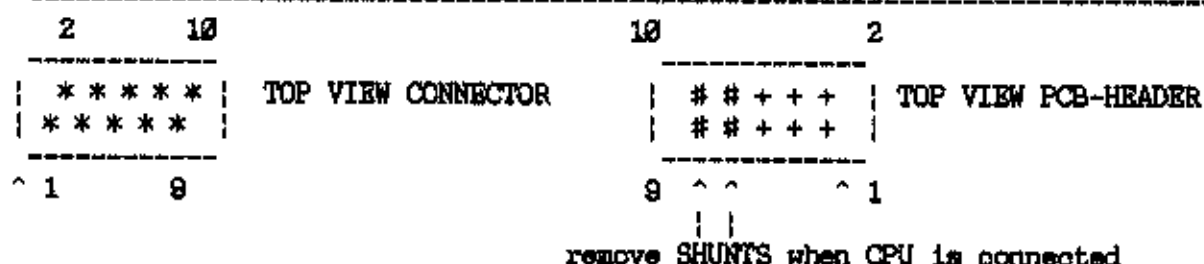
^ 1 9

STYLYX CH/MASTER/INTERFACE

date: 10-04-1988

pin nr.: function: CONN 201 on CHANNEL, CONN 201-204 on master

1	LED (off)
2	audio-sw (off)
3	earth (CPU)
4	switch-status
5	inverted IRQ
6	not wired
7	LED (off)
8	not wired (used for local-mode only)
9	audio sw (off)
10	not wired (used for local-mode only)

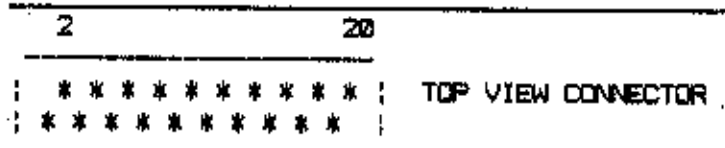


STYLYX LED-BAR CONNECTOR

date: 10-04-1988

pin nr.: functions: CONN 6 on PCB-3, CONN 9 on PCB-6, D-CONN chassis

1	+ 18 V
2	ground logic
3	L-master LEDfeed
4	R-master LEDfeed
5	tape return 3 LEDfeed
6	tape return 4 LEDfeed
7	tape return 7 LEDfeed
8	tape return 8 LEDfeed
9	tape return 11 LEDfeed
10	tape return 12 LEDfeed
11	tape return 15 LEDfeed
12	tape return 16 LEDfeed
13	tape return 1 LEDfeed
14	tape return 2 LEDfeed
15	tape return 5 LEDfeed
16	tape return 6 LEDfeed
17	tape return 9 LEDfeed
18	tape return 10 LEDfeed
19	tape return 13 LEDfeed
20	tape return 14 LEDfeed



STYLYX-1A SHUNT SETTINGS

date: 10-04-1988

CONN 3 AUX1+2 standard: pre fader | 0 ### 0 |
 optional: pre equalizer | ### 0 0 |

CONN 4+5 AUX3+4 standard: post fader | # 0 0 0 |
 #
 | # 0 0 0 |

optional: pre equalizer | 0 # 0 0 |
 #
 | 0 # 0 0 |

optional: pre fader | 0 0 # 0 |
 #
 | 0 0 # 0 |

CONN 6 C-MIX standard: not in use
 ###
 0 0
 0 0
 ###

optional: in use
 (no shunts)
 0 0 | 1
 0 0 | 2
 0 0 | 3
 0 0 | 4

CONN 201 CPU CHANNEL INTERFACE 10 2

standard: not in use | ## + + + | SIDE-VIEW PCB-HEADER
 | ## + + + |

optional: CPU in use 9 | | ^ 1
 remove 2 SHUNTS

STYLYX-1A WIRING

CONN 2 MIC INPUT (XLR) colour | 0 0 0 0 |
 1 not wired - (black) 1 2 3 4
 2 ground 1 (green)
 3 out of phase 3 (red)
 4 in phase 2 (blue)

CONN 7 FADER CONN. (FADER) colour | 0 0 0 0 |
 1 not wired - (black) 1 2 3 4
 2 top 3 (green)
 3 ground 1 (red)
 4 slider 2 (blue)

STYLYX-2A SHUNT SETTINGS

date: 30-05-1988

CONN 4 AUX1+2 optional: post fader

```

| # 0 0 0 |
| # |
| # 0 0 0 |

```

optional: switchable

```

| 0 # 0 0 |
| # |
| 0 # 0 0 |

```

standards: pre fader

```

| 0 0 # 0 |
| # |
| 0 0 # 0 |

```

optional: pre equalizer

```

| 0 0 0 # |
| # |
| 0 0 0 # |

```

CONN 5 AUX3+4 standards: post fader

```

| # 0 0 0 |
| # |
| # 0 0 0 |

```

optional: switchable

```

| 0 # 0 0 |
| # |
| 0 # 0 0 |

```

optional: pre fader

```

| 0 0 # 0 |
| # |
| 0 0 # 0 |

```

optional: pre equalizer

```

| 0 0 0 # |
| # |
| 0 0 0 # |

```

CONN 6+7 C-MIX standards: not in use

```

| ### |
| 0 0 |
| 0 0 |
| ### |

```

optional: in use

(no shunts)

```

| 0 0 | 1
| 0 0 | 2
| 0 0 | 3
| 0 0 | 4

```

CONN 8+9 DIRECT GJT standard + 4dBu

0 0

optional: -10dBV

0 ### 0

CONN 201 CPU CHANNEL INTERFACE

10

2

standards: not in use

+ + +
+ + +

SIDE-VIEW PCB-HEADER

optional: CPU in use

9 | | ^ 1
remove 2 SHUNTS

STYLYX-2A WIRING

CONN 2+3 FADER CONN. (FADER) colour

1	not wired	-	(black)
2	top	3	(green)
3	ground	1	(red)
4	slider	2	(blue)

0	1
0	2
0	3
0	4

CONN 10 REMOTE CONN. (SWITCH) color (JACK)

1	not wired	-	(black)
2	break-contact	2	(green) [sleeve]
3	make-contact	4	(red) [ring]
4	P-contact	1	(blue) [tip]

0 0 0 0

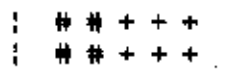
STYLYX-3A SHUNT SETTINGS

date: 25-04-1988

CONN 2 + 7	AUX 3 + 4	standard: post-fader	CONN 2 :	CONN 7 :
	(2 x 1 shunt)	optional: pre equalizer	### 0 0	0 ### 0
			0 ### 0	0 0 ###
CONN 3 + 8	TAPE OUT	standard: -10 dBV	0 ### 0	
	(1 shunt)	optional: + 4 dBu	### 0 0	
CONN 4 + 9	TAPE IN	standard: -10 dBV	0 ### 0	
		optional: + 4 dBu	### 0 0	
CONN 5	SUBGROUP SELECT	first module:	0 0 0 #	0 0 0 #
	(2 shunts)		#	#
			0 0 0 #	0 0 0 #
		second module:	0 0 # 0	0 0 # 0
			#	#
			0 0 # 0	0 0 # 0
		third module:	0 # 0 0	0 # 0 0
			#	#
			0 # 0 0	0 # 0 0
		fourth module:	# 0 0 0	# 0 0 0
			#	#
			# 0 0 0	# 0 0 0
CONN 10+11	C-MIX	standard: not in use	###	
	(2 x 2 shunts)		0 0	
			0 0	
			###	
		optional: in use	0 0	1
	(no shunts)		0 0	2
			0 0	3
			0 0	4

CONN 201+202 CPU CHANNEL INTERFACE 10 2

standard: not in use



SIDE-VIEW PCB-HEADER

optional: CPU in use

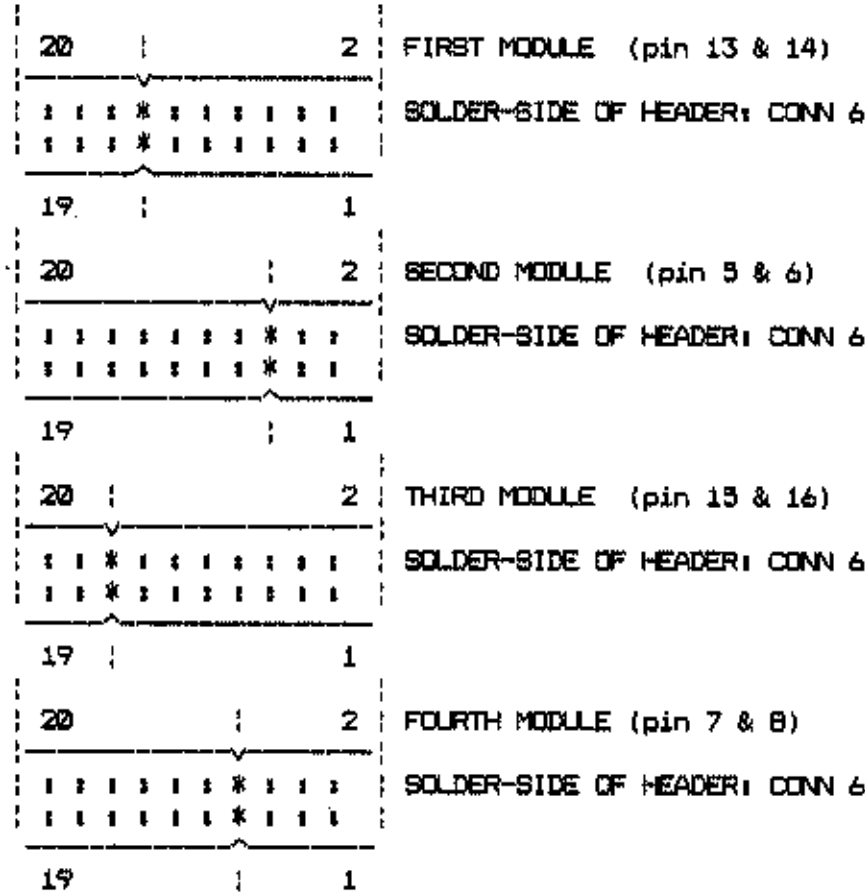
remove 2 SHUNTS

STYLYX-3A WIRING

CONN 12+13 FADER CONN. (FADER) colour

1	not wired	-	(black)	0	1
2	top	3	(green)	0	2
3	ground	1	(red)	0	3
4	slider	2	(blue)	0	4

CONN 6 LEDBAR CONNECTOR 20pins



- optional FIFTH MODULE : pin 17 & 18
- optional SIXTH MODULE : pin 9 & 10
- optional SEVENTH MODULE : pin 19 & 20
- optional EIGHTH MODULE : pin 11 & 12

STYLYX-4A SHUNT SETTINGS

date: 10-04-1986

CONN 2 L-OUT standard: + 4 dBu
(1 shunt)

```

-----
#
#
0
0
-----
    
```

```

-----
0
#
#
0
-----
    
```

optional: -10 dBV
(1 shunt)

CONN 3 2-TRACK A/B standard: -10 dBV
(4 shunts)

```

-----
# BL
#
# BR
#
# AL
#
# AR
#
-----
    
```

```

-----
0 BL
0
0 BR
0
0 AL
0
0 AR
0
-----
    
```

optional: + 4 dBu
(no shunts)

CONN 12 C-MIX standard: not in use
(2 shunts)

```

-----
###
00
00
###
-----
    
```

```

-----
00 1
00 2
00 3
00 4
-----
    
```

optional: in use
(no shunts)

STYLYX-4A WIRING

CONN 13 C-MIX ON colour

1	not connected	(black)	0	1
2	not connected	(green)	0	2
3	C-MIX on (+12V)	(red)	0	3
4	C-MIX ground	(blue)	0	4

CONN 14 LEFT-MASTER AUDIO CONN. to PCB-8 10-pin to 10-pin connector

CONN 15 AUX-INTERFACE to PCB-5 20-pin to 20-pin connector

CONN 21 FADER CONN. (FADER) colour

1	not wired	-	(black)	0	1
2	top	3	(green)	0	2
3	ground	1	(red)	0	3
4	slider	2	(blue)	0	4

CONN 22 LEFT OUTPUT (XLR) colour

1	not wired	-	(black)	0	1
2	ground	1	(green)	0	2
3	out of phase	3	(red)	0	3
4	in phase	2	(blue)	0	4

CONN 24 AUX AUDIO to PCB-5 10-pin to 10-pin connector

STYLYX-6A SHUNT SETTINGS

date: 10-04-1988

CONN 8 R-OUT standard: + 4 dBu
(1 shunt)

```

-----
#
#
0
0
-----
    
```

```

-----
0
#
#
0
-----
    
```

optional: -10 dBV
(1 shunt)

CONN 10 LEDBAR SELECT standard: L/R
(2 shunts)

```

-----
0 0
# #
# #
# #
0 0
-----
    
```

L/R

```

-----
0 0
0 0
# #
# #
# #
-----
    
```

SOLO

optional: SOLO
(2 shunts)

CONN 18 C-MIX standard: not in use
(2 shunts)

```

-----
###
0 0
0 0
###
-----
    
```

```

-----
0 0 | 1
0 0 | 2
0 0 | 3
0 0 | 4
-----
    
```

optional: in use
(no shunts)

STYLYX-6A WIRING

CONN 20 TALKBACK colour

```

-----
1 TALKBACK input (black)
2 ground (green)
3 ground (red)
4 not wired (blue)
-----
    
```

```

-----
0 | 1
0 | 2
0 | 3
0 | 4
-----
    
```

CONN 11 LEFT-MASTER AUDIO CONN. to PCB-4 10-pin to 10-pin connector

CONN 18 FADER CONN. (FADER) colour

```

-----
1 not wired - (black)
2 top 3 (green)
3 ground 1 (red)
4 slider 2 (blue)
-----
    
```

```

-----
0 | 1
0 | 2
0 | 3
0 | 4
-----
    
```

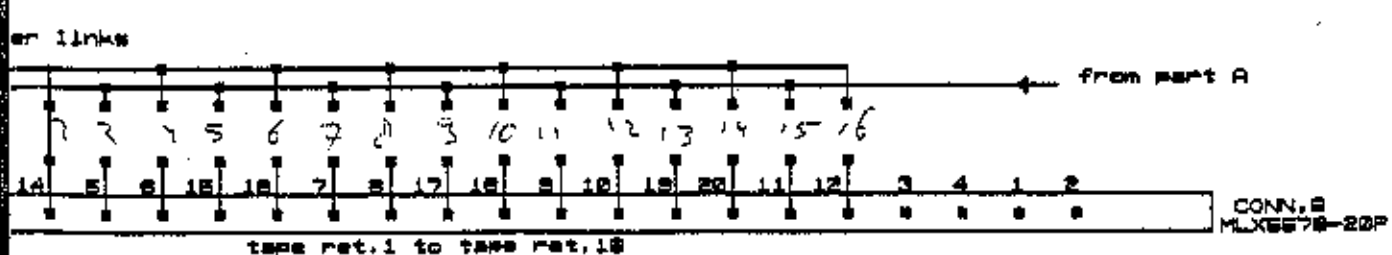
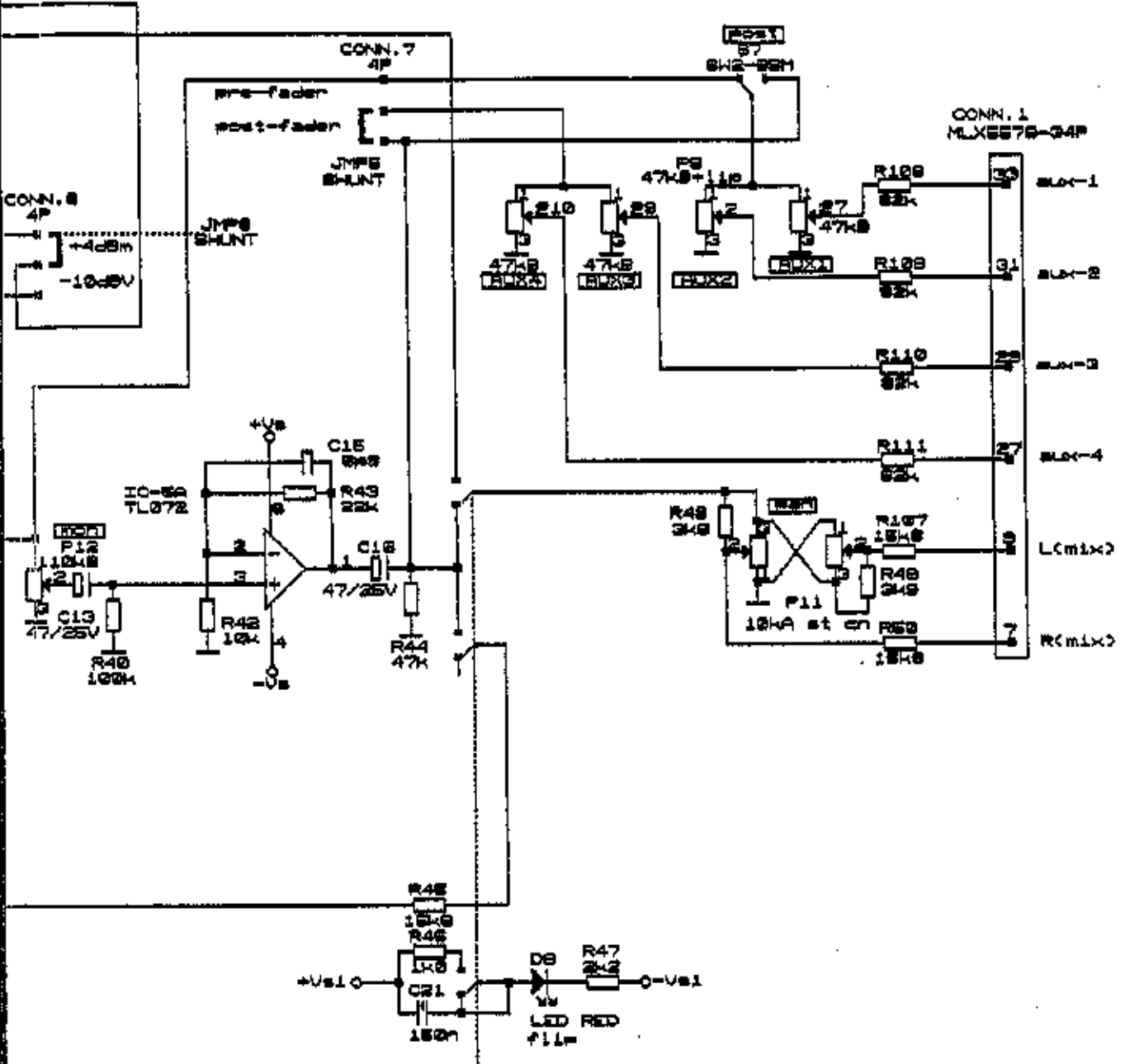
CONN 19 RIGHT OUT (XLR) colour

```

-----
1 not wired - (black)
2 ground 1 (green)
3 out of phase 3 (red)
4 in phase 2 (blue)
-----
    
```

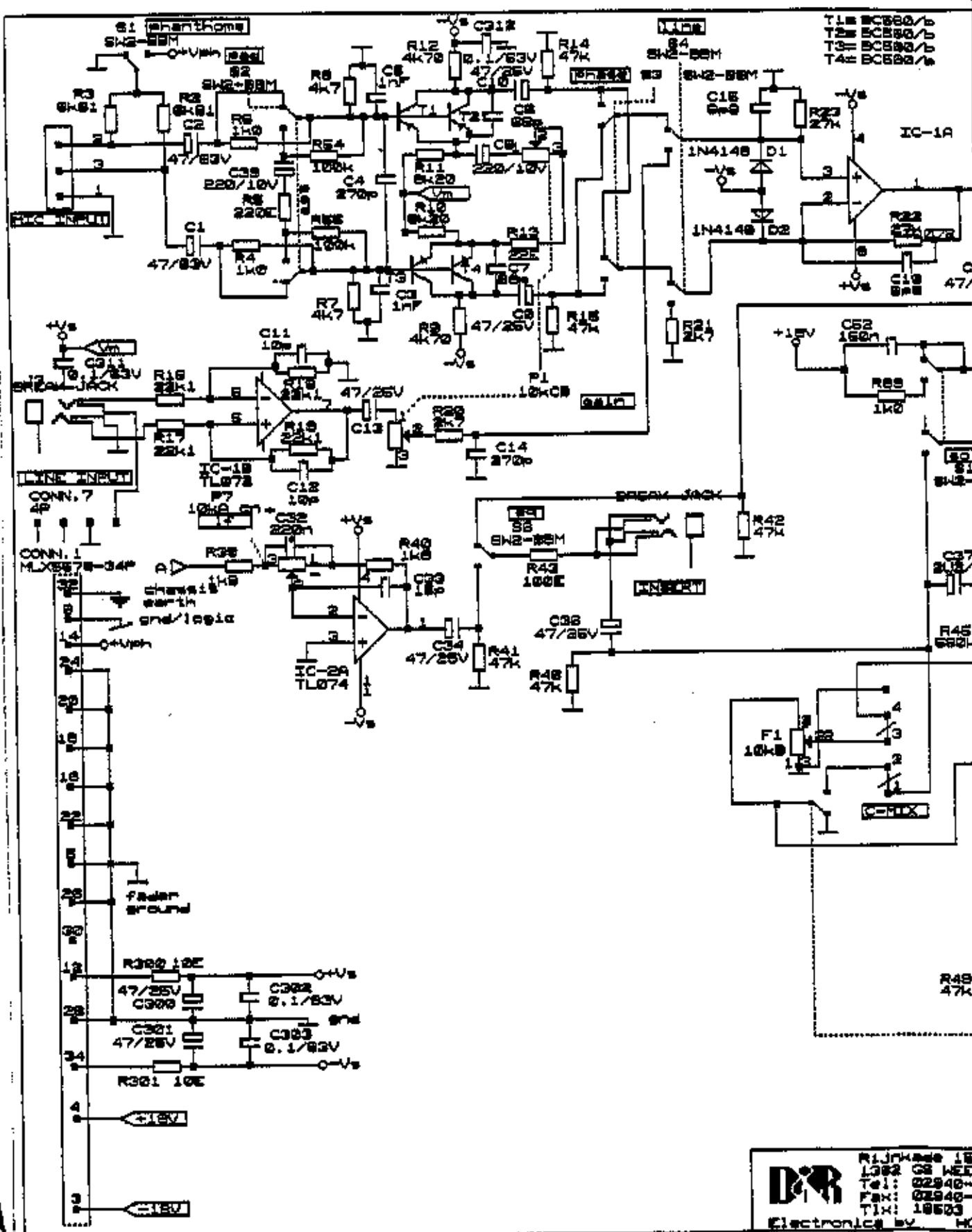
```

-----
0 | 1
0 | 2
0 | 3
0 | 4
-----
    
```

THIS DRAWING REPLACES PREVIOUS ONES				STYLIX-30 sub module			
INDEX	REV	DATE	BY	SIZE	DOCUMENT NUMBER	REV	DATE
	1	12-11-1988			STYLIX-30 sub module part B	1	
DESIGN							
ORIGIN							
				Date: December 2, 1988 Sheet 2 of 2			

STYLIX 30/4



T1= BC680/b
 T2= BC680/b
 T3= BC680/b
 T4= BC680/b

IC-1A

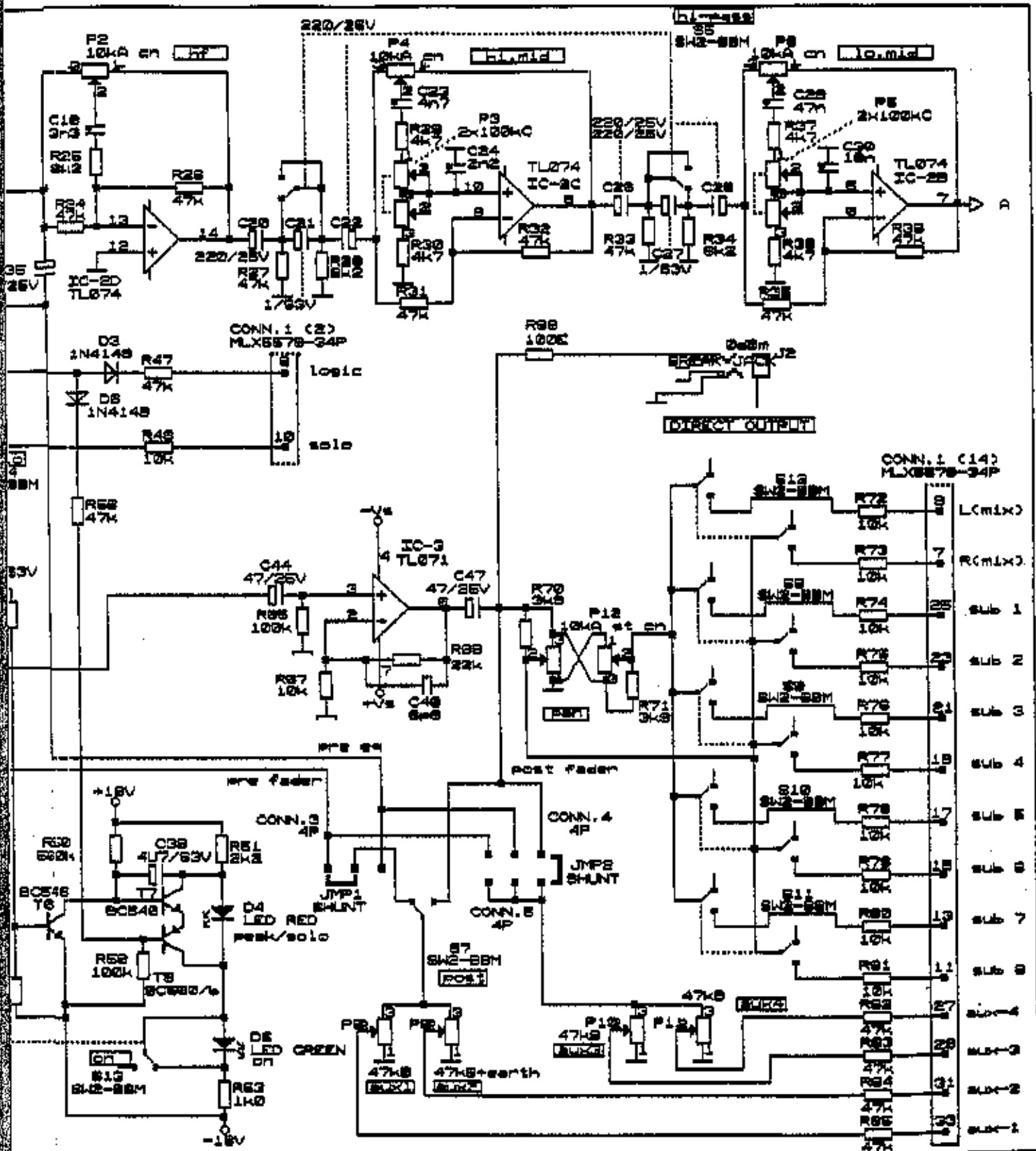
IC-1B
 TL072

IC-2A
 TL074

R48
 47K


 R1, J, K, M, N, P, Q, R, S, T, U, V, W, X, Y, Z
 1382 GE WELD
 Tel: 02940-1
 Fax: 02940-1
 Tlx: 18503
 Electronics by HOL

Stylyx 10 / 11

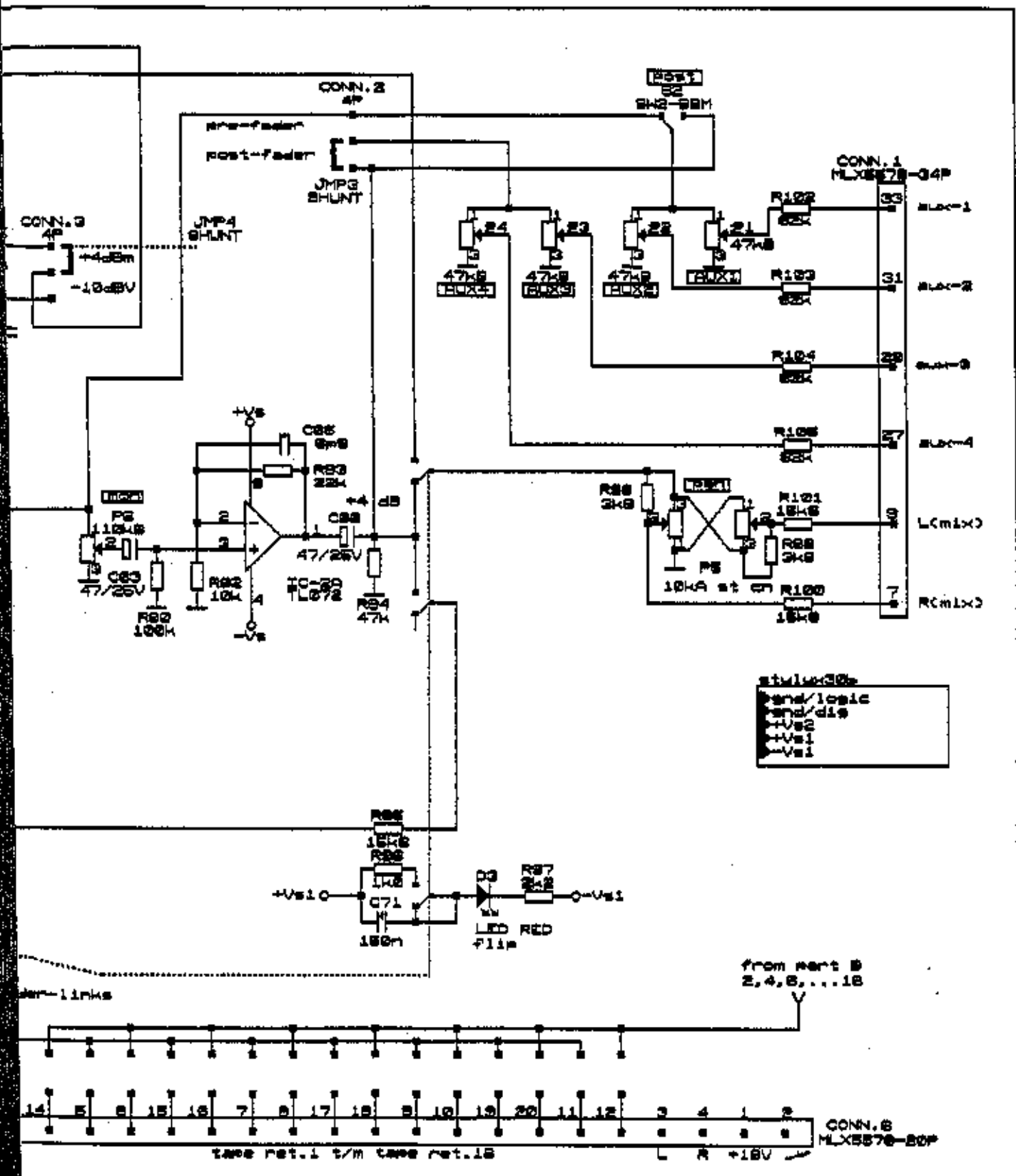


THIS DRAWING REPLACES PREVIOUS ONES

STYLYX-10 mono module

REV	NO	DATE	BY	CHK	APP	SIZE	DOCUMENT NUMBER	REV	
1	1	11/16/68	R. B. BLIK			8	STYLYX-10 mono module	P	
DRAWN							DATE	NOVEMBER 16, 1968	SHEET 1 OF 1

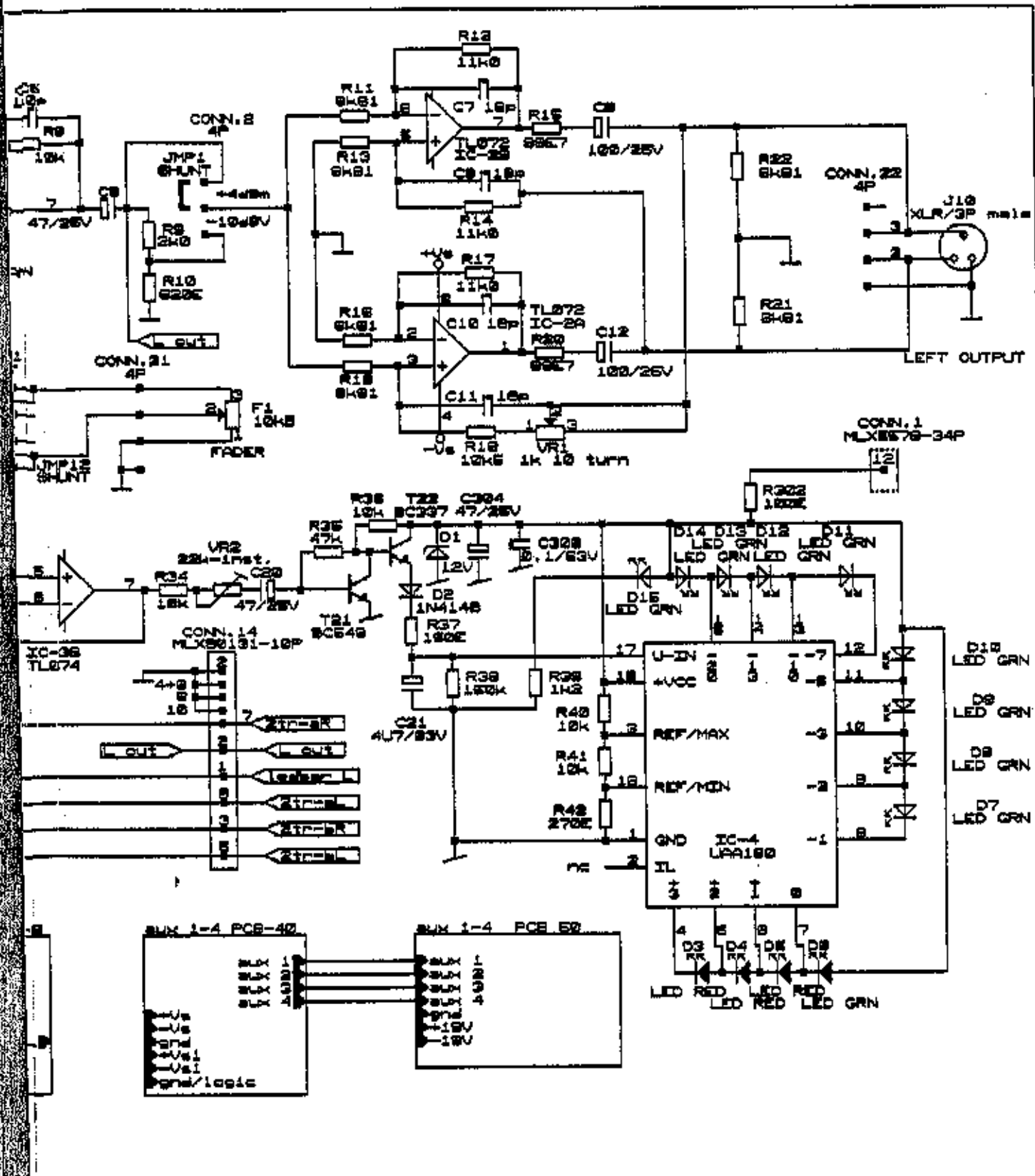
Stylyx 10/2



stylx30s
 +Vsl0 logic
 +Vsl0 dis
 +Vsl2
 +Vsl1
 +Vsl1

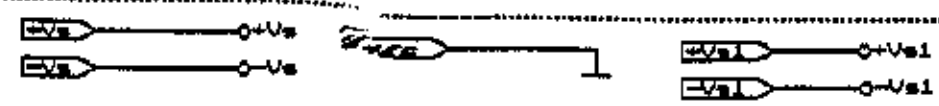
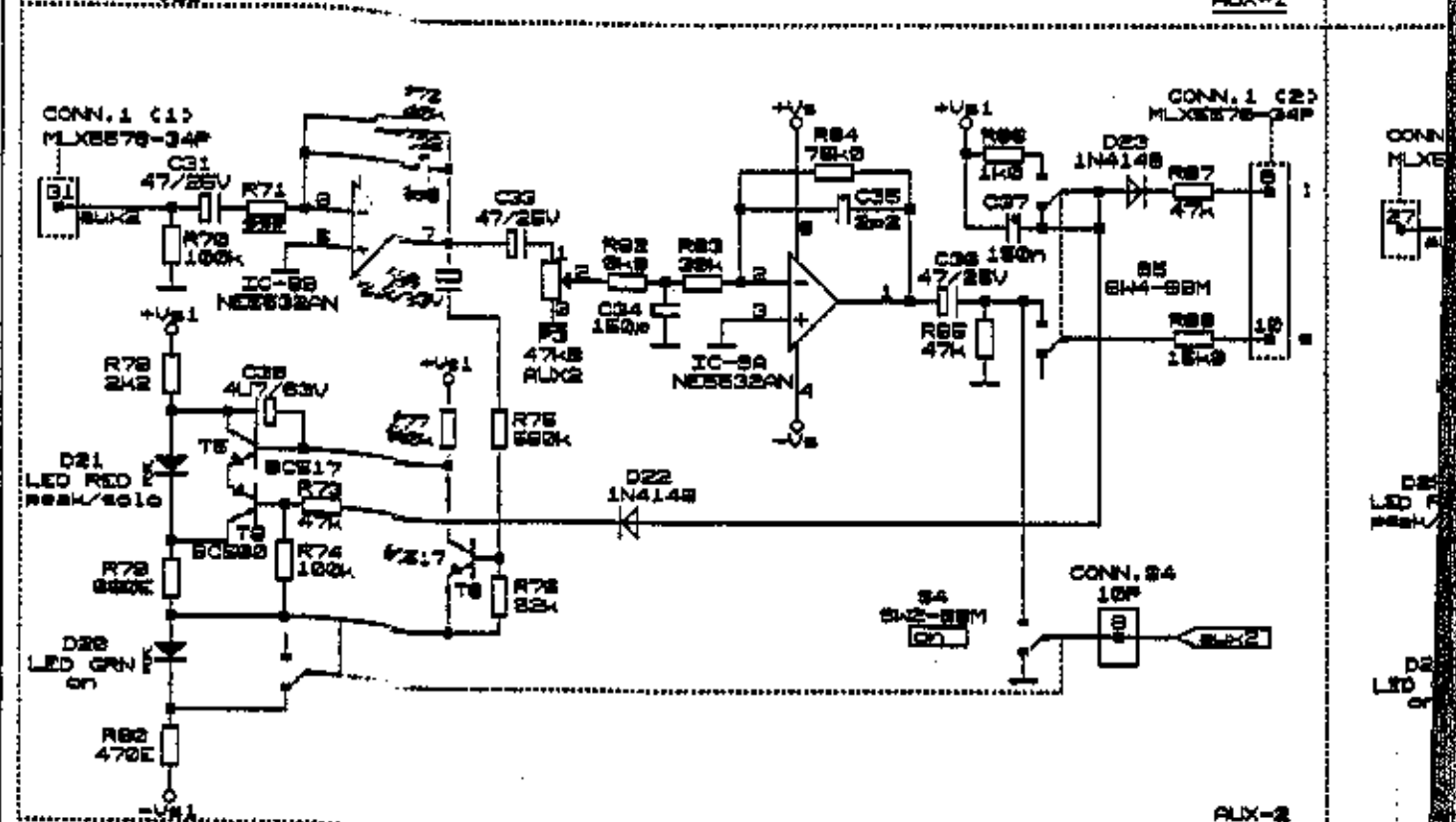
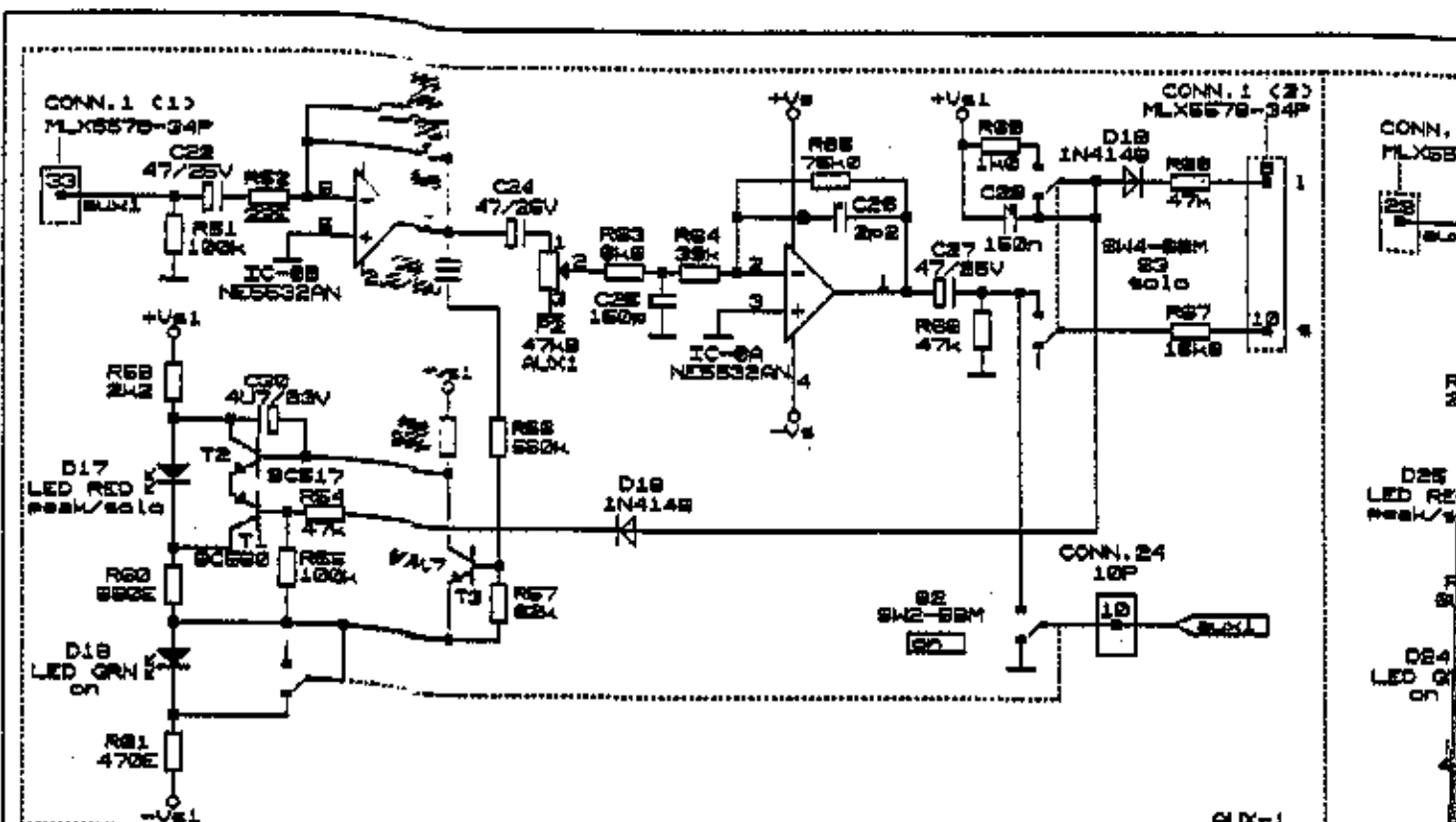
THIS DRAWING REPLACES PREVIOUS ONES				STYLIX-30 sub module	
INDEX				Size	Document Number
DESIGNED BY	J. de Vries	J. de Vries	J. de Vries		STYLIX-30 sub module part A
DESIGN	P. de Klu			Date:	December 2, 1988
DRAWN	P. Nijcke				1 of 2

Stylx 30/2



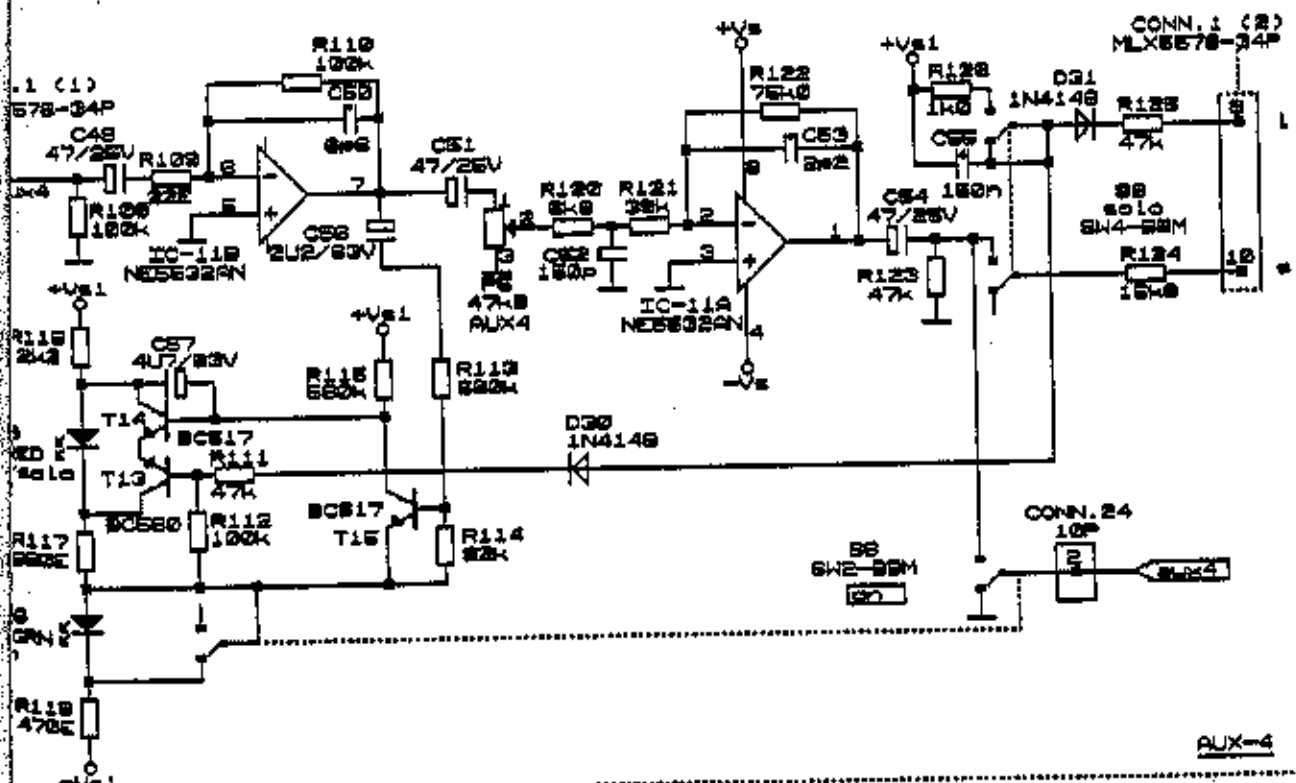
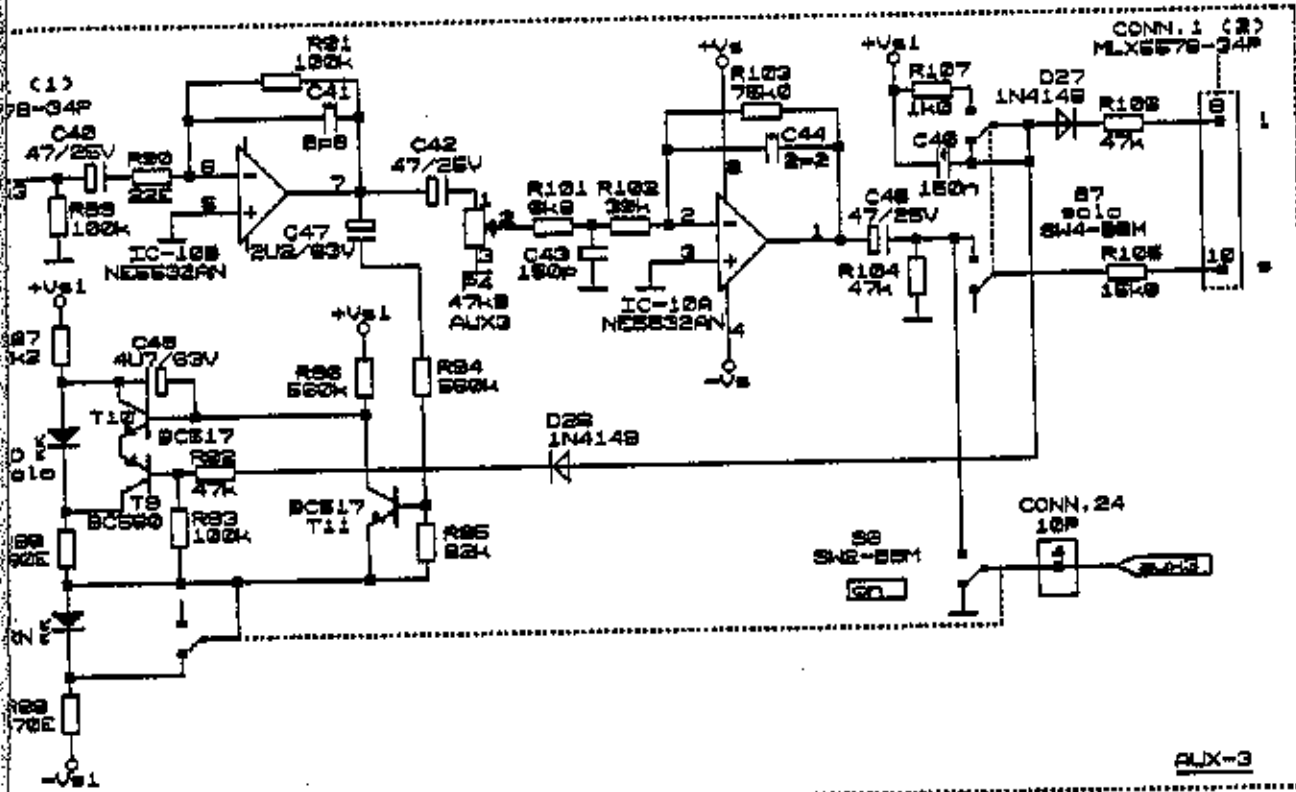
THIS DRAWING REPLACES PREVIOUS ONES			STYLIX master module PCB 40, 50, 60	
INDEX	BY	DATE	Size	Document Number
1	J. G. VOLES	12-01-1988	B	STYLIX-40 master left
DESIGN	D. G. R. I. N.		Date:	January 18, 1989 Sheet 1 of 1
DRAWN	P. H. LICKE			

STYLIX 40/2



D&R
 Rijksweg 15b
 1382 CS WEESP
 Tel: 02940-18014
 Fax: 02940-18887
 TIN: 18532 st ni
 Electronics by HOLLAND

Stylux 40/3



THIS DRAWING REPLACES PREVIOUS ONES		STYLYX master module PCB 48	
REV	DATE	SIZE DOCUMENT NUMBER	REV
1	12-10-1988	B	STYLYX-48 aux 1 to 4
DESIGN	P. WILK	DATE:	January 20, 1989 Sheet 2 of 2
CHECK	P. WILK		

Stylyx uo/4

Avalon

Remove : R217, R218, R175, R176

Short: C79

FOR STYLIX CHANNEL

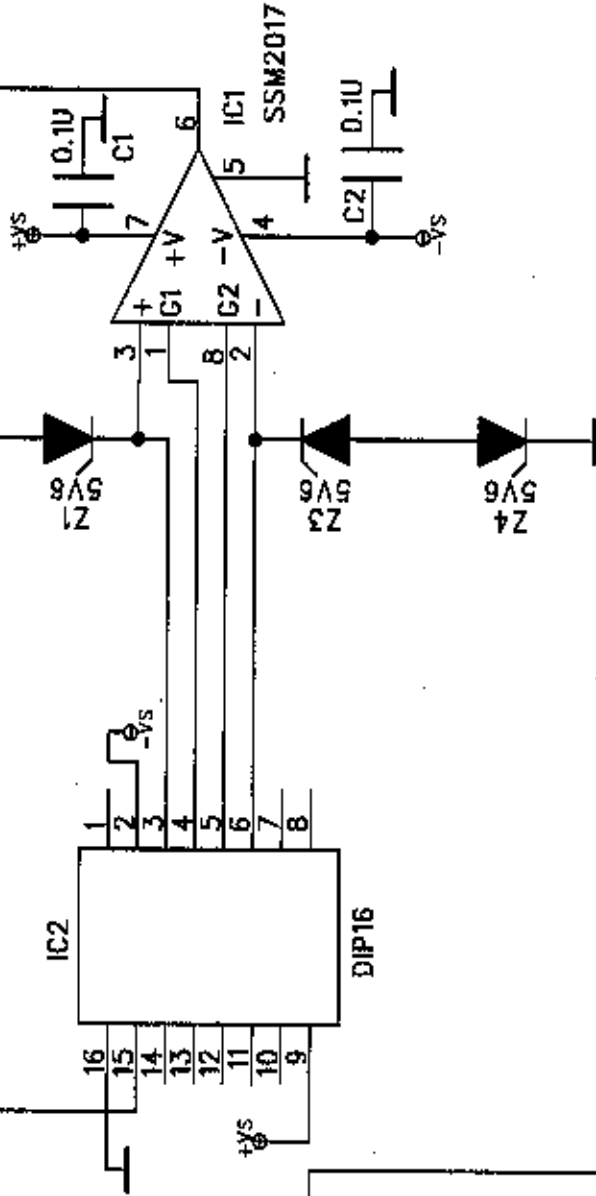
REMOVE R8,R9,R15,R20

SHORT C61

FOR MARILON 1 CHANNEL

REMOVE R34,R35,R36,R37

SHORT C3



Project:

SSM

Title:

2016->2017

Rev:

P

Date:

21-10-1996

Sheet:

1 of 1

Design:

Peter Wilcke

Rijnkade 15b
 1382 GS Weesp
 The Netherlands
 phone: 0294-418014
 fax: 0294-416987



D&R Electronica B.V.